



Access

Locca Access
User and Installation Guide

Contents

- 1 Introduction
- 1 Locca Access features
- 2 **Locca Access pack contents**
- 3 Before you start...
- 4 **How to personalise your system**
- 4 Setting the Time Delay function
- 4 Erasing Locca Remote Keys
- 5 Learning Locca Remote Keys
- 5 **Sound Settings on your
Locca Receiver**
- 6 Installation
- 8 Guarantee
- 8 Technical Data
- 10 Contact details

Introduction

The Locca Access system is an innovative secure remote locking system that will enable you to access your property at the touch of a button.

Operation and programming of the system have been specifically designed for ease of use:

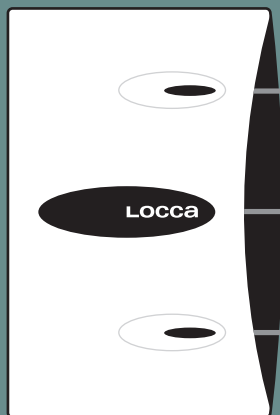
- All features of the Locca Access can be quickly understood
- Programming of the system has been designed with simplicity in mind – you will need no technical knowledge to operate the system.

Behind this simple interface lies the latest technology – your system incorporates high-security code-hopping technology. Each time your Locca Remote Key is pressed, a one in 4.6 billion encrypted code is emitted. The next time the Locca Remote Key is pressed, this code will have changed to a new random one in 4.6 billion code.

Locca Access features

- Simple operation
- User-friendly programming
- Attractive ergonomic design of Locca Remote Keys offering unparalleled ease of operation
- Long-life rechargeable battery
- Indication of power cut or drop in power supply (the system will continue to operate on the backup battery in the event of power failure for at least 48 hours in standby mode)
- Superior transmission range
- Your Locca Remote Key has been designed for ease of use. It has been shaped to fit comfortably and easily in your hand and gives you the option to carry it on your wrist or wear it around your neck
- Wall-mounted bracket enables positioning of the Locca Receiver in the most convenient location, for optimal use around the house.

Your Locca Access pack contains:



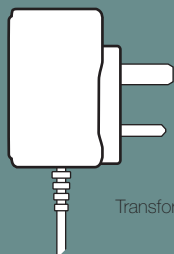
Locca Receiver



Wall-mounting bracket



Rechargeable battery



Transformer



Locca Sure-Touch Master Remote Key (Red button)



2 x Locca Sure-Touch Remote Keys (Yellow button)



Locca wrist band



2 x plugs and screws

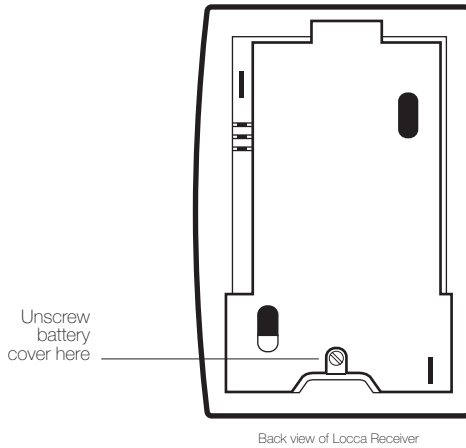


Locca neck band

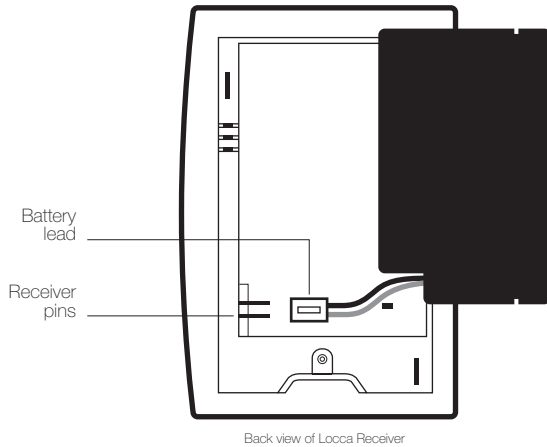
Before you start...

You must connect the backup battery to the Locca Receiver:

1. Unscrew battery cover



2. Connect battery to Locca Receiver



3. Replace battery cover and secure with screw

4. Once in place the Locca Receiver will beep to confirm the system is working

How to personalise your system

The following programming features can be simply carried out:

1. Setting the Time Delay

How long do you want the release mechanism to stay open on pressing the Locca Remote Key?

2. Erasing Locca Remote Keys

How do you erase Remote Keys if lost or stolen?

3. Learning Locca Remote Keys

How do you add extra Remote Keys to the system?

1. Setting the Time Delay function

Please note: The Time Delay is the amount of time the electric door release will remain unlocked. This can be cancelled before the delay period ends with a second press of your Locca Remote Key.

The system is pre-set for five seconds. This may be what you want. If not and you would like to personalise your entry time then follow the steps below:

1. Press the Locca Master Key. This will activate the Locca Receiver and prepare it for future instructions.

The Locca Receiver will begin to beep and an orange light will flash to indicate the system is ready to move on to Step 2.

2. Now press and hold down the 'delay' button on the Locca Receiver. The amount of time the 'delay' button is held down will be the amount of time that the delay will be set for (i.e. if you hold the button down for 10 seconds, the delay will be set for 10 seconds).

While the 'delay' button is held down, the Receiver will beep every second to confirm each second registered. At the same time, a visual green flash will be seen on the top Receiver light for each second registered (i.e. if you hold the button down for 10 seconds, the system will beep 10 times during this period and flash 10 times, to indicate that the delay has been set for 10 seconds).

When the 'delay' button is released the system will confirm the time you have set the delay for. The Receiver will beep quicker and flash quicker for the period of time the delay is set for (i.e. you will hear beeps and see flashes for the duration of the delay).

2. Erasing Locca Remote Keys

If you have lost a Locca Remote Key or perhaps think one has been stolen, the solution is simple.

1. Press the Locca Master Key. This will activate the Locca Receiver and prepare it for future instructions.

The Receiver will begin to beep and an orange light will flash to indicate the system is ready to move on to Step 2.

2. Now press and hold down the 'erase' button for three seconds until the Locca Receiver beeps three times. The red light will also flash three times.
3. On releasing the 'erase' button, the system will emit two long beeps and give two long flashes to confirm that your Locca Remote Keys have been deleted.
4. If you release the 'erase' button before the three-second duration has expired, no action will be carried out and the Locca Receiver will return to its normal state.

Please note: On completion of the 'erase' function, ALL LOCCA REMOTE KEYS WILL BE ERASED. You can now simply reprogram your Locca Remote keys.

3. Learning Locca Remote Keys

To add new Locca Remote Keys or to reprogram original Locca Remote Keys that have been erased, follow the simple instructions below.

Please note: a total of 19 Locca Remote Keys – in addition to your Locca Master Key – can be programmed to the system.

1. Press the Master Key **ONCE**. This will activate the Receiver – the Receiver will begin to beep and an orange light will flash.

Press the Master Key a **SECOND TIME**.

Wait for the receiver to change to LEARN MODE: the middle light will turn green and the beeps will quicken, indicating the system is ready to move on to Step 2.

2. Press the button on the Locca Remote Key you wish to activate **ONCE**.

There will be no change in sound or light signals.

Press the Locca Remote Key a **SECOND TIME**.

There will be a long beep and a long flash to indicate that the new Locca Remote Key has been programmed.

Please note: If you 'learn' more than 19 Locca Remote Keys into the Receiver memory, the last Locca Remote Key programmed into the system will be automatically deleted.

Please note: On learning a new Locca Remote Key, the middle green light will flash every 5 seconds for 48 hours to indicate that a new Remote Key has been added. This is a security measure.

If you have not added a Remote Key during that period, Locca recommends that you 'Erase' all and start again.

Additional remote keys are available from your preferred distributor

Sound Settings on your Locca Receiver

Door Open Alert

When you press your Locca Remote Key and activate the electric door release, the Locca Receiver will signal the 'door open' state. The middle green light on the Receiver will be illuminated for the duration of the 'door open' state. There are also three choices of audible signal:

1. A continuous beep for the duration of the 'door open' state
2. A series of beeps for the duration of the 'door open' state
3. No audible signal.

When you receive your Locca system, the default setting is a continuous beep that lasts the duration of the 'door open' state. To change this, simultaneously press the 'erase' and 'delay' buttons on the Locca Receiver. Each time you press these together, the Receiver scrolls through the sound options:

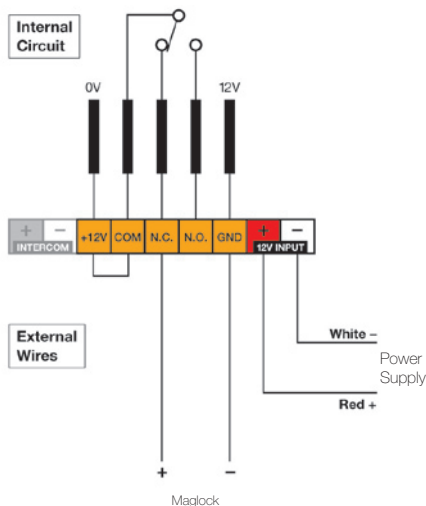
Continuous beep > Intermittent beeps > No sound alert > Continuous beep... etc.

2 b) Maglock or fail-safe electric strike – (power to close):

For most Maglocks and fail-safe electric strikes, it is advised that you use a separate Power Supply Unit. This can be purchased from all major security distributors.

The Locca Back-Up battery is not designed to work with Maglocks. Disconnect the battery before proceeding. Should you require backup power for the Maglock, please purchase a separate back-up power supply with this feature incorporated.

To change the wiring: Simply press on the release button on the terminal marked N.C. (the orange button under the pre-installed wire) to release it. Place this wire into the terminal marked N.O. (by pressing down on the orange button, inserting the wire and releasing the orange button). Ensure that the wire is firmly connected. Attach the two wires to the maglock. Please see the illustration below for the wiring diagram:



Step 3

Mount and plug in the Locca Receiver

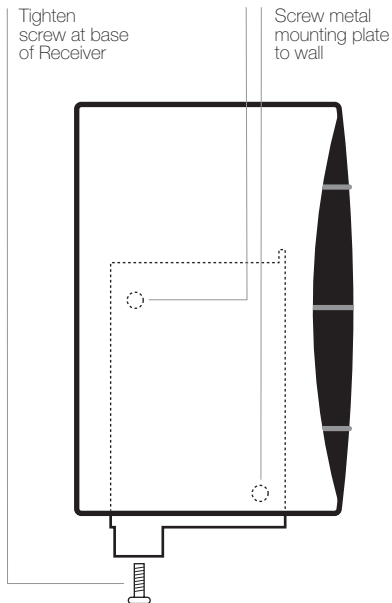
Screw the metal mounting plate onto the wall using the screws and plugs provided. Slot the Receiver onto the mounting plate.

There is a screw at the base of the Receiver that you may tighten to prevent the Receiver being lifted off the mounting plate.

Your Locca system is now installed.

If you need to personalise your system you may do so now (see page 4: How to personalise your system).

For further wiring diagrams, such as for power door opening, electric locks etc, please go to www.locca.co.uk



Important

The user should not attempt to service the unit or open the main casing.

All servicing should be referred to qualified personnel.

Changes or modifications to the unit may void the user's authority to operate the equipment and will nullify the warranty.

Guarantee

Your ERA Locca system comes with a free one-year guarantee (from date of purchase) against mechanical and electrical defects.

This guarantee is only valid if the appliance is used in accordance with the instructions provided, and is not connected to an unsuitable electricity supply, dismantled or interfered with in any way or damaged through misuse.

Under this guarantee we undertake to replace free of charge any Locca Access system found to be defective.

Nothing in this guarantee or the instructions relating to the product excludes, restricts or otherwise affects your statutory rights.

In line with our policy of continuous development, we reserve the right to change this product, packaging and documentation without notice.

Technical Data

Ambient temperature range	0° to 40°C
Environmental humidity	80% RH
Relay: Max. Switching	24Vdc 2A
Adaptor Supply	12Vdc 350mA
Max. External Input	12Vdc 2A



Hereby, Locca Tech Limited, declare that this Locca Access System in compliance with the essential requirements and other relevant provisions of Directive 1999/5EC.

Battery

If replacing the battery or disposing of the equipment, the battery must be removed and disposed of safely at a re-cycling or other collection centre.



ERA Products Ltd,
Straight Road, Short Heath,
Willenhall, West Midlands WV12 5RA
Tel: 01922 490000
www.era-security.com
E-mail: info@era-security.com

PKG0WDES35A