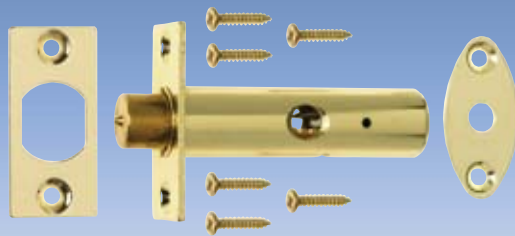


DOOR ACCESSORIES



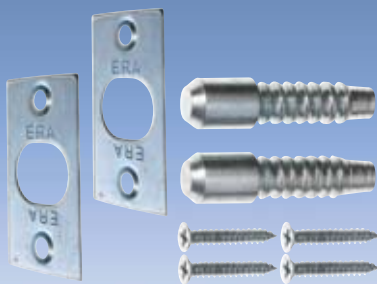
DOOR SECURITY BOLT



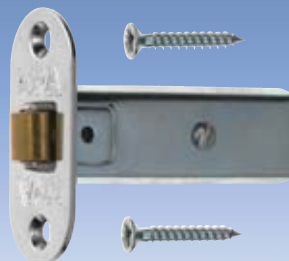
THUMBTURN



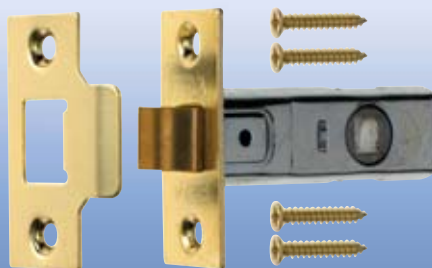
SPLINED KEY



HINGE BOLTS



ROLLER LATCH



TUBULAR LATCH

The **ERA Door Security Bolt** offers concealed security for all internal and external doors. The separate splined key locks and unlocks from one side only.

The **ERA Thumbturn** is permanently fixed to the door in conjunction with a door security bolt. It is easily located in the event of an emergency and allows privacy when used on internal doors. It is also suitable as a security measure for cupboards and internal doors. It is available individually as a replacement for a key where a security bolt is already fitted.

The **ERA Hinge Bolt** offers added security on external doors with exposed hinges, helping to prevent doors being forced off their hinges. This bolt is suitable for all wooden internal and external doors. Manufactured from hardened steel it resists hacksawing. Hinge bolts are essential for all outward opening doors.

The **ERA Tubular Latch/Roller Latch** are suitable for all internal doors.

ORDERING DETAILS

Security Bolt and Splined Key

White	838-12
Brass	838-32
Satin	838-52
Saver Pack - 2 brass bolts plus 1 free key	838-33
Splined Key	506-52

Thumbturn

Brass	843-32
Satin	843-52
Polished Chrome	843-62

Hinge Bolts

Satin	740-52
-------	---------------

Roller Latch

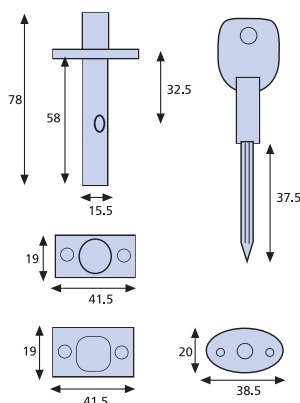
Roller latch 64mm (2.1/2") Brass.bulk	187-36
Roller latch 64mm (2.1/2") Satin.bulk	187-56

Tubular Latch

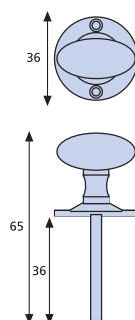
Brass 64mm (2 1/2")	188-32
Satin 64mm (2 1/2")	188-92
Brass 76mm (3")	189-32
Satin 76mm (3")	189-92

Rounded forends and keeps available please contact ERA sales for more information

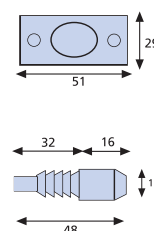
Door Security Bolt & Key



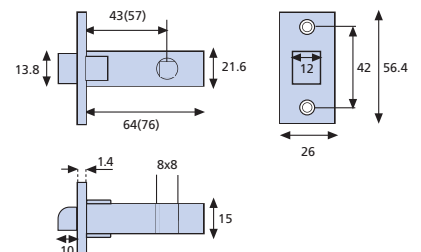
Thumb Turn



Hinge Bolt



Tubular Latch



All dimensions in mm.

Numbers in brackets relate to 3" version of latch

DOOR ACCESSORIES

The **ERA Concealed Door Chain** gives extra security for external doors and is fitted concealed in the door frame. Push button operation facilitates quick and easy locking and is especially suitable for the elderly. When in the locked position, conversation can take place through the door whilst being secured. The Concealed Door Chain can only be unlocked when the door is closed.

The **ERA Door Viewer** allows visual identification of callers without the need to open the door. Made of precision optical glass, 120° and 160° angles of view are available. Viewers with plastic lenses are also available, with up to 180° angle of view.

The viewer is adjustable to fit doors 35mm to 54mm thick.

The **ERA Door Chains** offer visible security, allowing conversation without giving access to visitors. ERA's 791 Door Chain is suitable for fitting to timber or PVCu doors.

The **ERA Door Restrictor** is designed to limit door opening prior to allowing entrance to visitors. It is easily applied and released when the door is closed.

ORDERING DETAILS

Concealed Door Chain

Brassed	700-32
Satin Chrome	700-52

Door Viewer

120° Brass - Glass Lens	786-32
120° Chrome - Glass Lens	786-62
160° Brass - Glass Lens	784-32
160° Chrome - Glass Lens	784-62
120° Brass - Plastic Lens	190-32
120° Chrome - Plastic Lens	190-62
160° Brass - Plastic Lens Wide Angle	191-32
160° Chrome - Plastic Lens Wide Angle	191-62
180° Brass - Plastic Lens Wide Angle	192-32
180° Chrome - Plastic Lens Wide Angle	192-62

Slide Chain

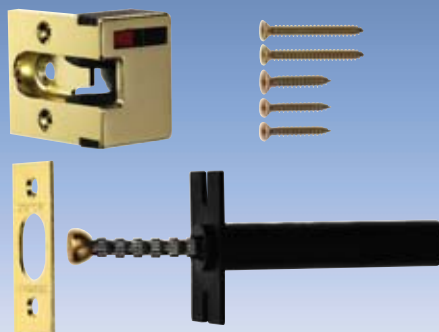
Brassed	787-32
Satin	787-52

Timber/PVCu Door Chain

Brassed	791-32
Satin	791-52
Chrome	791-62

Door Restrictor

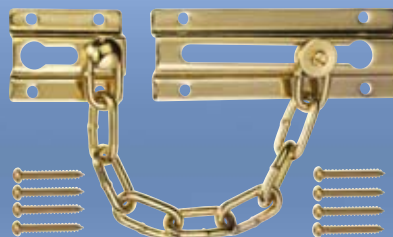
Brassed	789-32
Satin	789-52



CONCEALED DOOR CHAIN



DOOR VIEWER



SLIDE DOOR CHAIN



TIMBER/PVCU DOOR CHAIN



DOOR RESTRICTOR

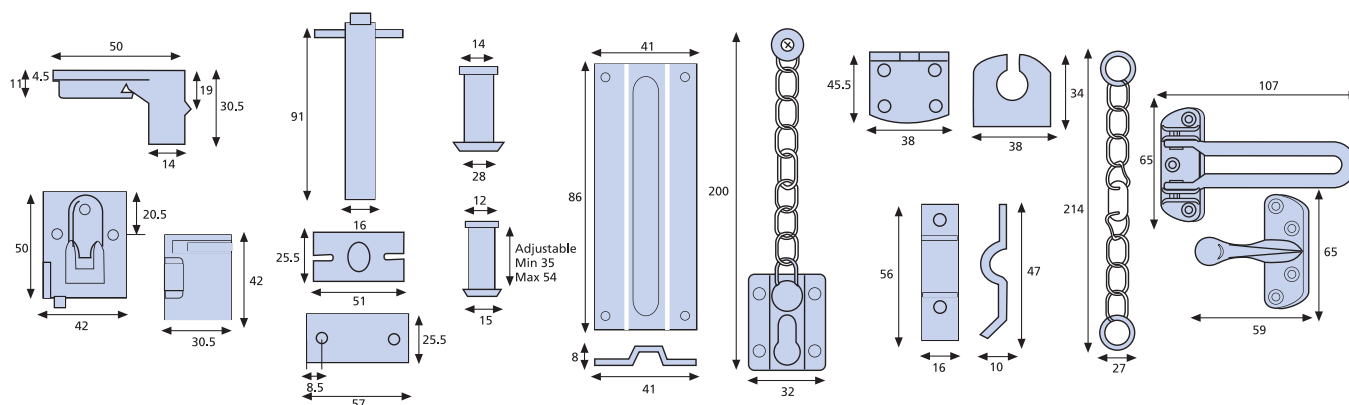
Concealed Door Chain

Door Viewer

Slide Chain

Door Chain

Door Restrictor



All dimensions in mm.