

SAFETY GUARD

door safety catch

The Safety Guard is a security enhancement for the Saracen 6000 multi-point lock range.

It offers the facility to restrict the door opening as with a traditional Safety Chain.

The high security steel bolt is operated by a turn knob, this locates into a stainless steel restrictor arm located in either the frame mounted multi keep or continuous keep supplied by LSH (UK).

A 100-degree, clockwise rotation of the turn knob locates the bolt into the arm, restricting the door opening to 100mm. To disengage the Safety Guard, simply return the door to the closed position and rotate the turn knob anti-clockwise to retract the bolt and disengage the Safety Guard.



Technical information

Corrosion

resistance: Plated to BS EN 1670:2007 Grade 4
– 240 hours

Operation:

Assembly has been tested under UKAS conditions using parts of PAS 24 soft body testing for indicative performance

Material specification

Safety Bolt: Steel bolt housed in a diecast gearbox

Swing Arm: Stainless steel

Dead/Sash Bolt: Forged brass satin chrome plate

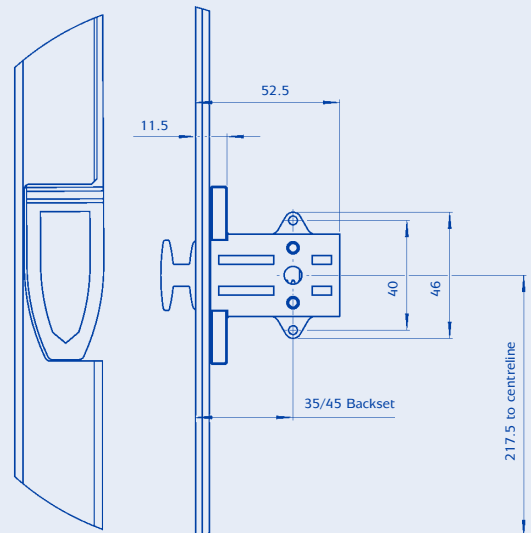
Keeps: Steel BZP CR3 passivated and seal

Packers: Black Nylon

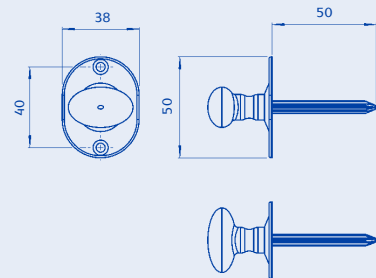
Product Options

Safety catch for a 35mm gearbox.
Turn knobs are available in white, brass, chrome and black.
Gold anodised available for composite doors only.
See opposite for complete list of product codes.

Safety catch



Turn Knob



SARACEN 6000
MULTI-POINT LOCK



PVCu



SILVER



SARACEN
SECURE



10
YEAR
GUARANTEE

SAFETY GUARD

Part numbers

Safety Catch

Gearbox 35mm DADLERST01

Keeps (multi)

LH DRK60STLH01

RH DRK60STRH01

Accessories

PVCu

Composite

White Turn Knob DADLERST02 DADLERST07

Brass Turn Knob DADLERST03 DADLERST08

Chrome Turn Knob DADLERST04 DADLERST09

Black Turn Knob DADLERST05 DADLERST06

Please see Packers page for relevant packer codes

Packing information

5 per box