

# HOPPE DESIGNER RANGE

for doors

The Designer range is the sophisticated solution for residential doors. Manufactured from high quality brass, each designer handle has a distinctive appearance for an individual look.

Unsprung, the designer range is supplied as a complete set (loose levers and backplates), non-handed and has been designed to suit European lock centres of 92mm fitted with a Euro-cylinder.

The designer range includes the Athinai, Bergen, Capri, Phoenix and Rodos series of handles in a choice of brass or chrome finishes.

## Technical information

Corrosion resistance: Meets the Requirements of BS EN 1670:2007

Operation: Tested 30,000 cycles

## Material specification

Handle Grip & Back Plate: Cast brass backplate, levers

Finishes: Brass F77

Chrome F49

Cylinder: Standard Euro-profile

Screws: 2 x M5 x 70mm  
Head finished to match the back plate

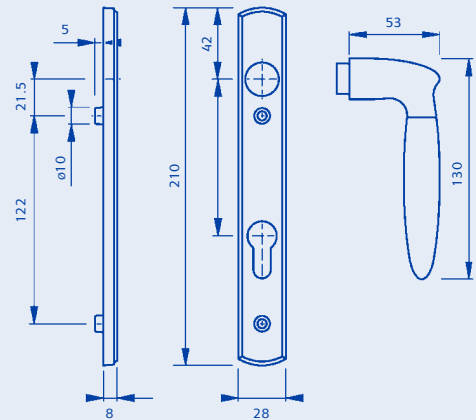
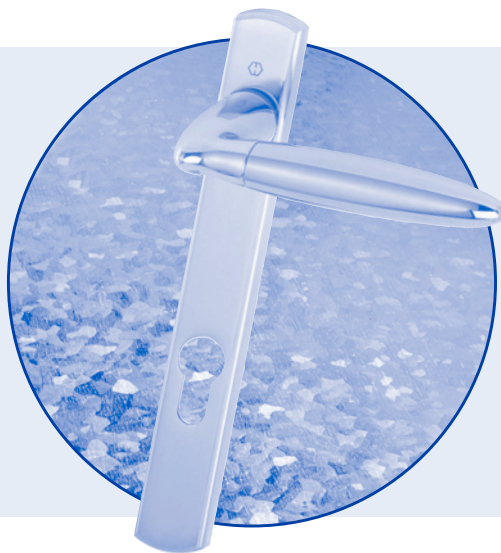
Spindle: Hoppe split profile spindle

## Product Options

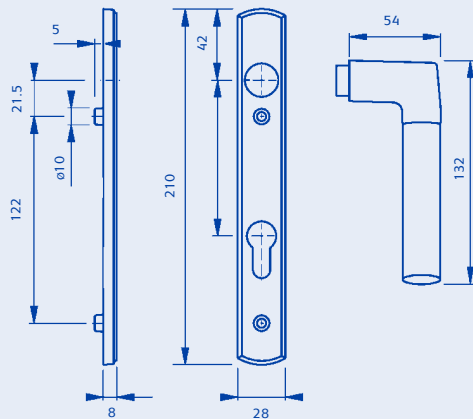
Available in Brass and Chrome, lever/lever versions, non-handed in all five designs.

See opposite for complete list of product codes.

## ATHINAI



## BERGEN



EURO CENTRES



COMPOSITE DOORS



PVCu DOORS



TIMBER DOORS



10 YEAR GUARANTEE

# HOPPE DESIGNER RANGE

## Part numbers

### Designer Handles (92mm)

### Brass

### Chrome

Athinaï

DHMBSAH9341

DHMCHAH9376

Bergen

DHMBSBG9430

DHMCHBG9448

Capri

DHMBSCA9552

DHMCHCA9561

Phoenix

DHMBSPH9510

DHMCHPH9536

Rodos

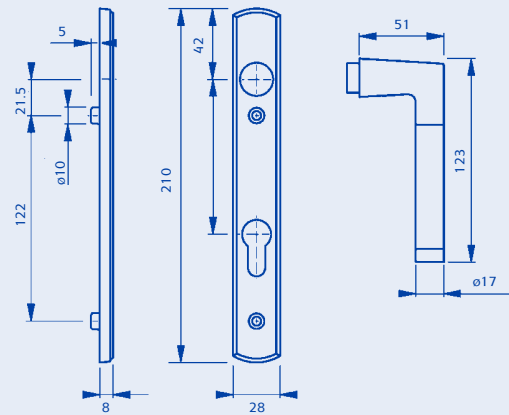
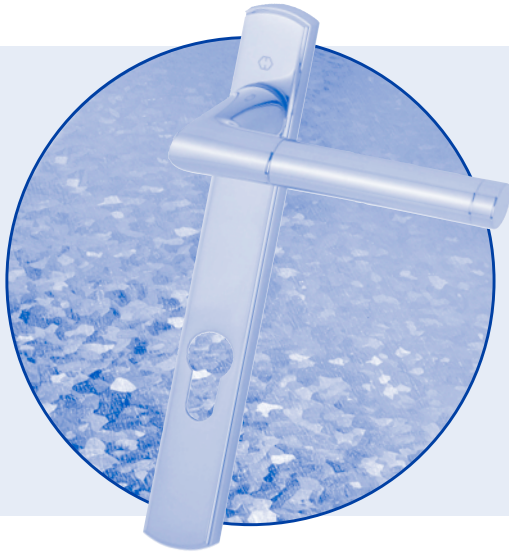
DHMBSRD9472

DHMCHRD9499

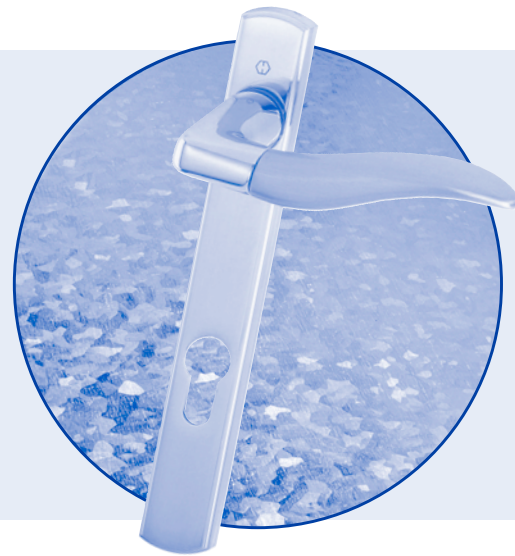
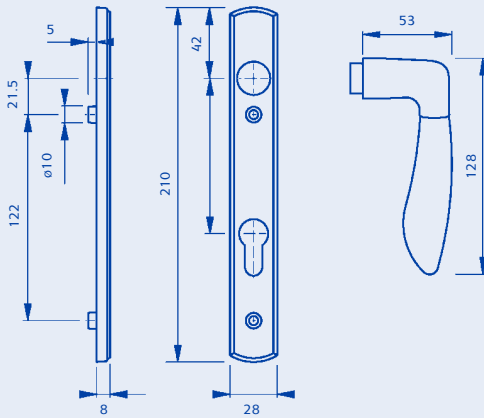
## Packing information

1 set per box

## CAPRI



## PHOENIX



## RODOS

