

IKON CLASSIC

door handle furniture

Ikon Classic is a stylish handle design that combines a traditional style with an exceptional finish.

The lever and matching pad have been ergonomically designed with a solid grip, styled with a softly rounded backplate.

Ikon Classic is independently sprung and is designed to fit most multi-point door locks fitted with a Euro-cylinder.

Handles are available in PVD Gold and Bright Chrome finishes together with white and black powder coated.

The Classic is protected by an advanced coating process known as PVD (Physical Vapour Deposition). The process provides a very hard and reflective finish.



Technical information

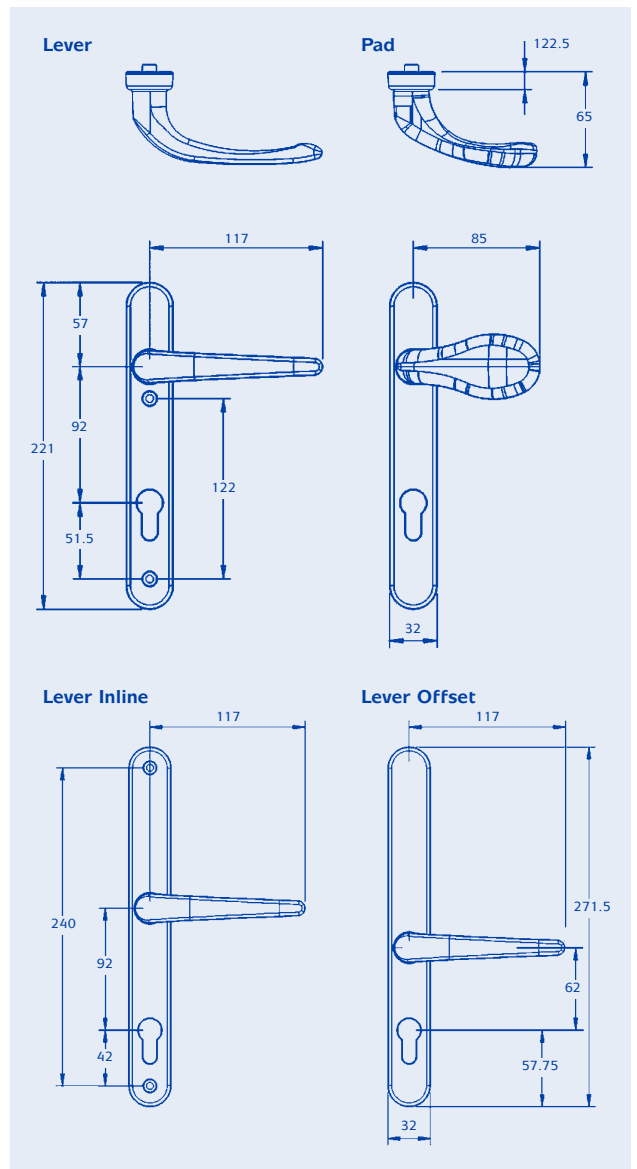
Corrosion resistance:	Meets the Requirements of BS EN 1670:2007 Grade 4 – 240 hours
Operation:	Tested 100,000 cycles

Material specification

Handle Grip & Back Plate:	High quality zinc or high quality aluminium casting with PVD protective finish, sprung lever, non-handed
Coatings:	White and Black Powder Paint coated Zircon Gold PVD Bright Chrome
Screws:	Mild steel, yellow passivated, head to match finish, 2 x M5 x 70/80mm
Cylinder:	Standard Euro-cylinder position
Spindle:	Mild steel, yellow passivated, 8mm square
Door thickness:	Standard sizes 58-70mm/41-50mm

Product Options

Available in White, Black, Zircon Gold and Bright Chrome finishes, in lever/lever and lever/pad versions. Non handed. See opposite for complete list of product codes.



PAINTED



ZIRCON GOLD



EURO CENTRES



COMPOSITE DOORS



PVCu DOORS



TIMBER DOORS



SARACEN SECURE



10 YEAR GUARANTEE

IKON CLASSIC

Part numbers

Zinc version	Gold PVD	Chrome	White	Black
Lever/Lever	DHMDGIC9352A*	DHMDCIC9352A*	DHMWHIC9352A*	DHMBKIC9352A*
Lever/Pad	DHMDGIC9353A*	DHMDCIC9353A*	DHMWHIC9353A*	DHMBKIC9353A*

Aluminium version

Lever/Lever	DHMDGICA101N*	DHMDCICA101N*	DHMWHICA101N*	DHMBKICA101N*
Lever/Pad	DHMDGICA201N*	DHMDCICA201N*	DHMWHICA201N*	DHMBKICA201N*

To suit Yale/Paddock Multi-Point Locks (92mm) – Zinc version

Lever/Lever Inline	DHYDGIC9526A*	DHYDCIC9526A*
Lever/Lever Offset	DHYDGIC9527A*	DHYDCIC9527A*
Lever/Pad	DHYDGIC9528A*	DHYDCIC9528A*

* suitable for MPL backplate applications.

Backplates – Zinc version

Outer Back Plate Only, No Lever, No Cylinder Holes	DHMDGIK9356A	DHMDCIK9356A	DHMWHIK9356A	DHMBKIK9356A
--	--------------	--------------	--------------	--------------

Split Spindles

For use with Lever/pad handles

54/54: DASDZY5454

54/64: DASDZY5464

54/74: DASDZY5474

64/74: DASDZY6474

74/74: DASDZY7474

Composite Door Accessory Packs

41mm - 50mm inclusive (includes screws, spindle and spring cassette).

Black	DAIKBL0001
PVD Chrome	DAIKDC0001
PVD Gold	DAIKDG0001
White	DAIKWH0001

Packing information

5 pairs per box including spindles and fixing screws suitable for PVCu doors (58mm - 70mm inclusive).