

CHALLENGER 3D

butt hinge for doors

Euro-rebate butt hinge for chamfered profiles

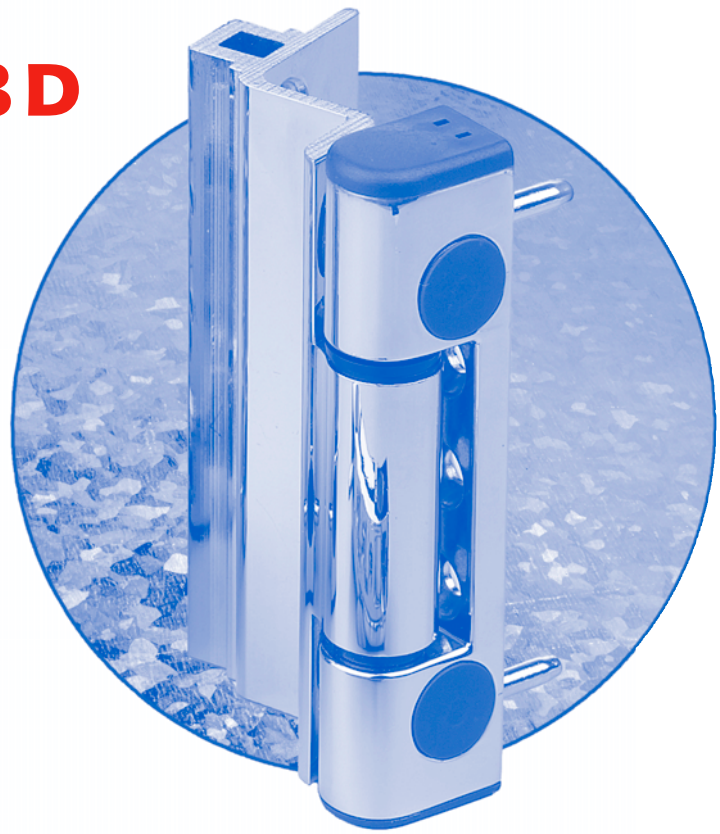
The Challenger range of butt hinges have been engineered with a unique 3D-adjustability for ease of application and long term trouble-free performance.

The euro rebate hinge is designed for modern chamfered profiles allowing fixings to the door to be supported in the eurogroove.

The design is available in four standard options – 20/9mm, 20/13mm, 22/9mm and 22/13mm – and allows for 3D adjustment for lateral, height and compression while the door is closed.

Security of the pin is achieved by a concealed grub screw fixing protected by the closed door.

The Challenger hinge is available in a range of finishes including white, brown, light brown, zircon gold and chrome.



Technical information

Corrosion resistance: Meets the Requirements of BS EN 1670:2007 – White/Brown polyester powder paint & PVD Zircon Gold/Chrome – 240 hrs

Operation: Endurance tested to over 50,000 cycles

Max weight per door: 3 hinges up to 100kgs

Material specification

Hinge body: Zinc alloy casting

Euro rebate flag: Aluminium extrusion

Coatings: Light Brown – powder coated Ral 8001

Zircon Gold/Chrome – PVD

White – powder coated White

Brown – powder coated Ral 8019

Hinge pins: Stainless steel

Grub screw: Stainless steel

Bushes: Black POM (Acetal)

Cover caps: White, brown or black POM (Acetal)

Packers: White, brown or black PA Nylon

Adjustability

Lateral: +2mm / -2mm

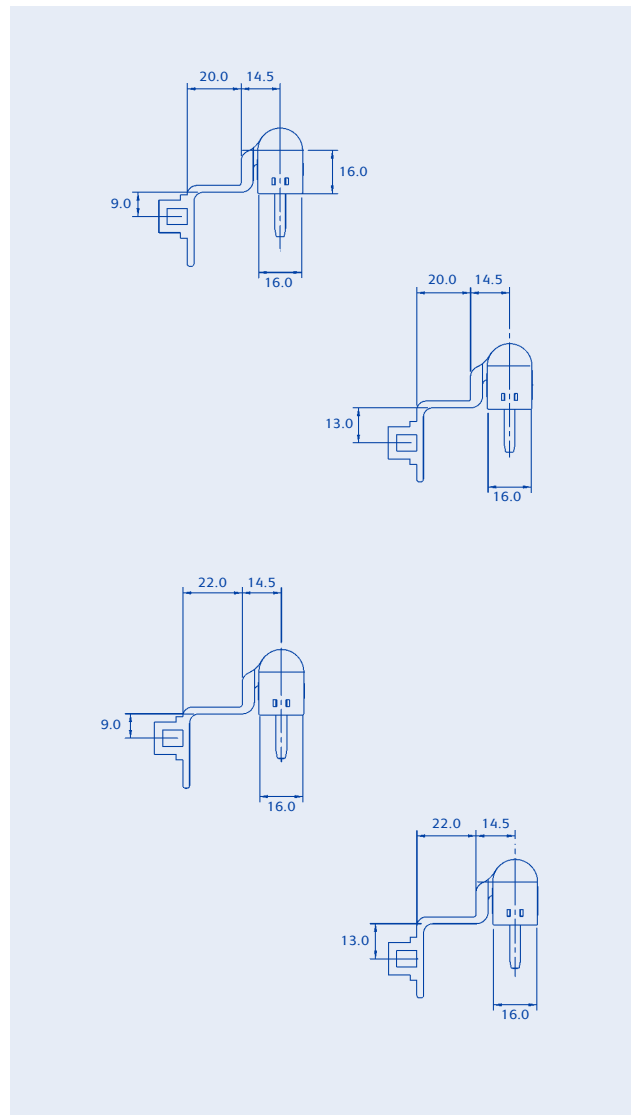
Height: +3mm

Compression: -0.5mm / +0.5mm

Product Options

Available in White, Brown, Light Brown, Zircon Gold (PVD) and Chrome (PVD) finishes, with 20mm or 22mm cover and 9mm or 13mm depths.

See opposite for complete list of product codes.



PAINTED



ZIRCON GOLD



CHROME



PVCu DOORS



SARACEN SECURE



GUARANTEE

CHALLENGER 3D EURO REBATE

Part numbers

	Body	Flag 20/9	Flag 22/9	Flag 20/13	Flag 22/13
White	DNCBWH0001A	DNCGWH0001A	DNCGWH0002	DNCGWH0003A	DNCGWH0004
Brown	DNCBBN0001A	DNCGBN0001A	DNCGBN0002	DNCGBN0003A	DNCGBN0004
Gold PVD	DNCBDG0001A	DNCGDG0001A	DNCGDG0002	DNCGDG0003A	DNCGDG0004
Light Brown	DNCBBL0001A	DNCGBL0001A	DNCGBL0002	DNCGBL0003A	DNCGBL0004
Chrome	DNCBDC0001A			DNCGDC0003	

Fixing Jig - Euro

DAJGBL0002

Packing information

24 per pack. Fixing screws not supplied

CHALLENGER 3D

butt hinge for doors

3D adjustable hinges for composite and timber doors

The Challenger range of butt hinges have been engineered with a unique 3D-adjustability for ease of application and long term trouble-free performance.

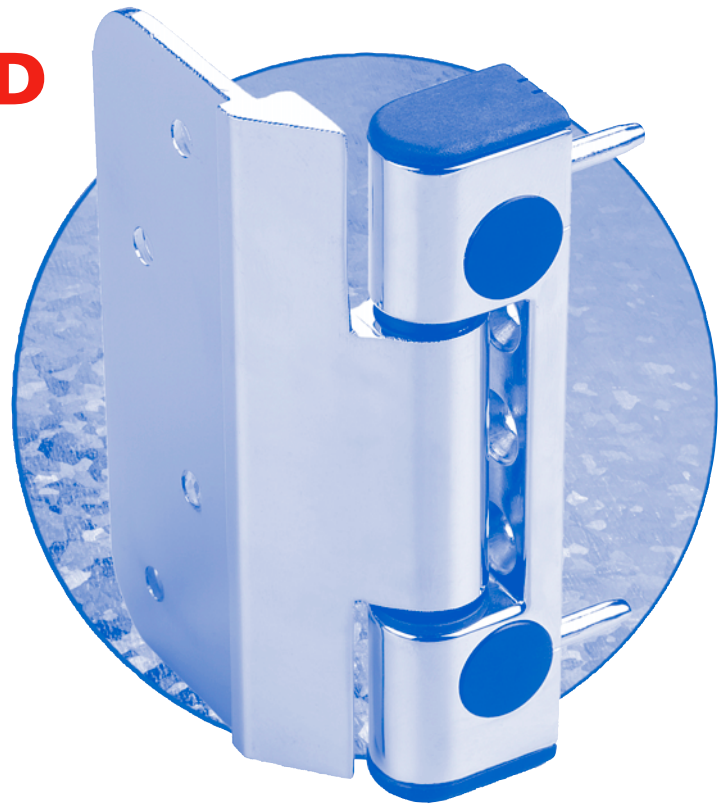
The composite door butt hinge provides an attractive solution for all types of doors.

The hinge has been designed with a unique frame adjustment and is supplied with alternative packers for PVC and timber applications.

3D adjustment for lateral, height and compression may be carried out whilst the door is closed.

Security of the pin is achieved by a concealed grub screw fixing protected by the closed door.

The Challenger hinge is available in a range of finishes including white, brown, zircon gold and chrome.



Technical information

Corrosion resistance: Meets the Requirements of BS EN 1670:2007 – White/Brown polyester powder paint & PVD Zircon Gold/Chrome – 240 hrs, Electroplated Gold – 96 hrs

Operation: Endurance tested to over 50,000 cycles

Max weight per door: 3 hinges up to 100kgs

Material specification

Hinge body: Zinc alloy casting

Composite hinge flag: Aluminium extrusion

Coatings: Zircon Gold/Chrome – PVD
White – powder coated White
Brown – powder coated Ral 8019

Hinge pins: Stainless steel

Grub screw: Stainless steel

Bushes: Black POM (Acetal)

Cover caps: White, brown or black POM (Acetal)

Packers: White, brown or black PA Nylon

Adjustability

Lateral: +2mm / -2mm

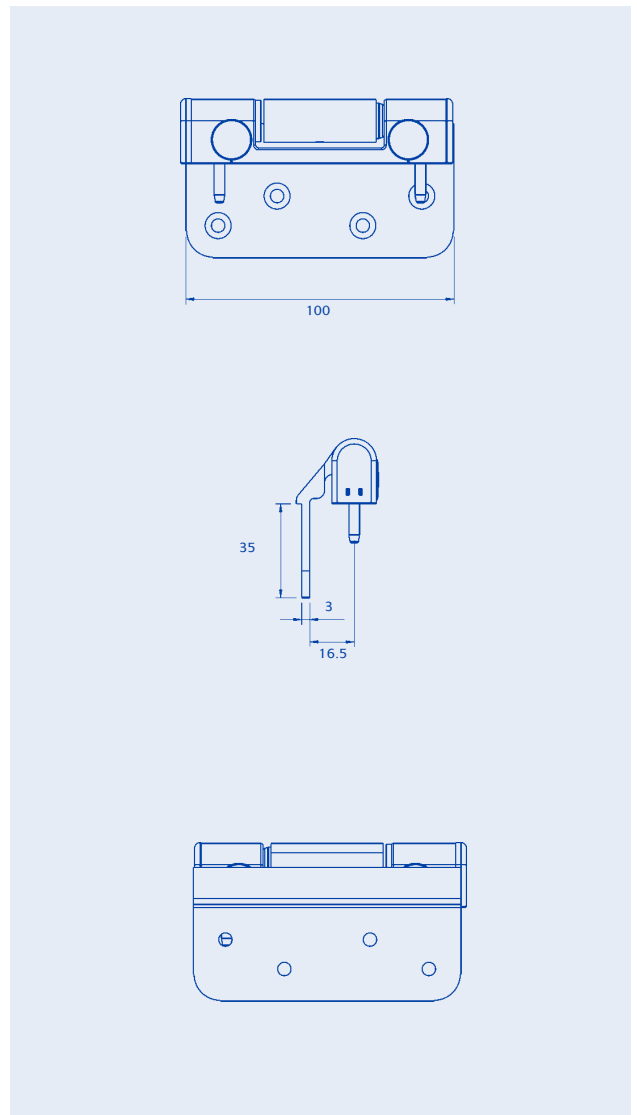
Height: +3mm

Compression: -0.5mm / +0.5mm

Product Options

Available in White, Brown, Zircon Gold (PVD) and Chrome (PVD) finishes.

See opposite for complete list of product codes.



PAINTED



GOLD ELECTROPLATED



ZIRCON GOLD



CHROME



COMPOSITE DOORS



TIMBER DOORS



SARACEN SECURE



GUARANTEE

CHALLENGER 3D COMPOSITE

Part numbers

	Body	Flag
White	DNCBWH0001A	DNCAWH0008
Brown	DNCBBN0001A	DNCABN0008
Gold PVD	DNCBDG0001A	DNCADG0008
Chrome	DNCBDC0001A	DNCADC0008

Fixing Jig

DAJGBL0003

Packing information

24 per pack. Fixing screws not supplied

CHALLENGER 3D

butt hinge for doors

Side fit hinges for square edged profiles

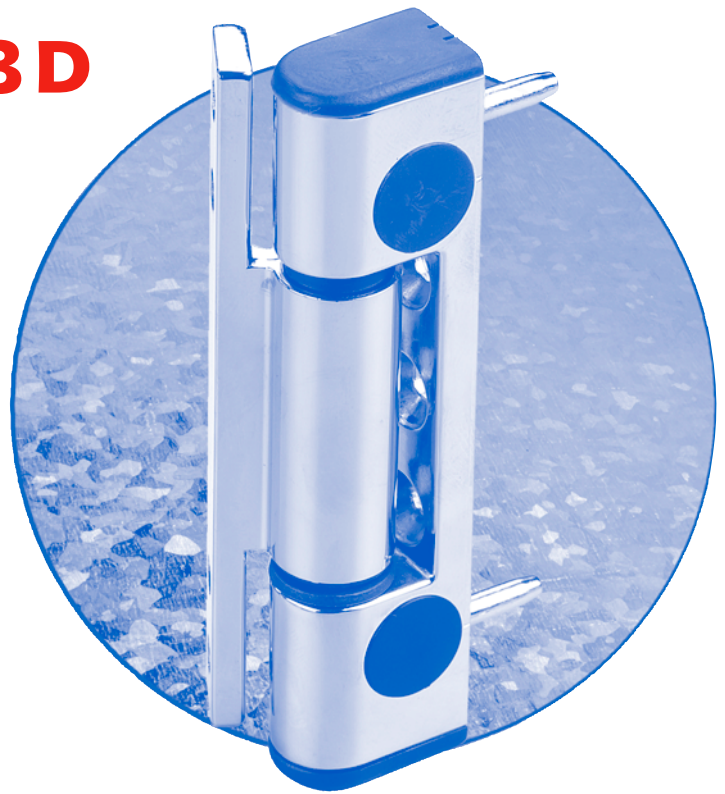
The Challenger range of butt hinges have been engineered with a unique 3D-adjustability for ease of application and long term trouble-free performance.

Side fit butt hinges are designed to suit most profile systems and are available for three alternative chamfers – 0, 5 and 15 degrees.

3D adjustment for lateral, height and compression may be carried out whilst the door is closed.

Security of the pin is achieved by a concealed grub screw fixing protected by the closed door.

The Challenger hinge is available in a range of finishes including white, brown and zircon gold.



Technical information

Corrosion resistance: Meets the Requirements of BS EN 1670:2007 – White/Brown polyester powder paint & PVD Zircon Gold – 240 hrs

Operation: Endurance tested to over 50,000 cycles

Max weight per door: 3 hinges up to 100kgs

Material specification

Hinge body: Zinc alloy casting

Side fit: Zinc alloy casting

Coatings: Zircon Gold – PVD
White – powder coated White
Brown – powder coated Ral 8019

Hinge pin: Stainless steel

Grub screw: Stainless steel

Bushes: Black POM (Acetal)

Cover caps: White, brown or black POM (Acetal)

Packers: White, brown or black PA Nylon

Adjustability

Lateral: +2mm / -2mm

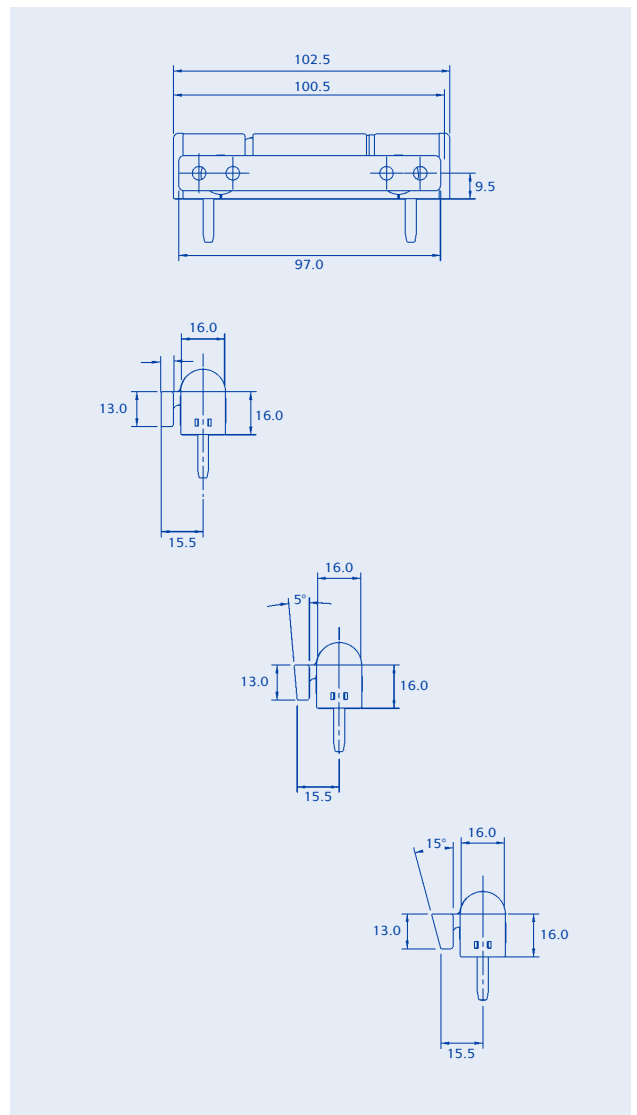
Height: +3mm

Compression: -0.5mm / +0.5mm

Product Options

Available in White, Brown, Light Brown and Zircon Gold (PVD) finishes, for chamfers of 0, 5 or 15 degrees.

See opposite for complete list of product codes.



PAINTED



GOLD ELECTROPLATED



ZIRCON GOLD



PVCu DOORS



SARACEN SECURE



10 YEAR GUARANTEE

CHALLENGER 3D SIDE FIT

Part numbers

	Body	Flag 0°	Flag 5°	Flag 15°
White	DNCBWH0001A	DNCGWH0005	DNCGWH0006	DNCGWH0007
Brown	DNCBBN0001A	DNCGBN0005	DNCGBN0006	DNCGBN0007
Gold PVD	DNCBDG0001A	DNCGDG0005	DNCGDG0006	DNCGDG0007
Light Brown	DNCBLB0001A			DNCGLB0007

Fixing Jig – Side

DAJGBL0001

Packing information

24 per pack. Fixing screws not supplied