

Maxim

3D adjustable door hinge



SERIOUSLY TOUGH

The new Maxim range of adjustable door hinges have been designed specifically for PVCu doors. The hinges provide enhanced door security, improved aesthetics, faster fabrication and 3D adjustment.

Hinges are supplied partly assembled in three separate parts to allow frame side and sash side components to be fitted separately saving valuable time in fabrication. The hinges are handed left and right to assist with time saving but can be re-handed easily if necessary.

The design allows for easy on-site adjustment with no visual change when vertically adjusted. Three body heights accommodate profiles with a step of 13.5mm – 25.5mm to alleviate the need for packers; with a separate sculptured edge packer for use with ‘Ovalo’ profiles.

The hinge has been designed with a lift off clearance requirement of 13mm making on-site installation easier; with disengagement of the anti lift off feature only being accessible with the door in the open position.

Designed to meet the requirements of PAS 024 security standard for doors, the hinge offers four screw port fixes into the sash reinforcing chamber providing optimum security if the door came under attack.

The Maxim is protected by an advanced coating process known as ‘SHIELDX’. The finish provides a robust and durable coating in matt white, black, brown and light brown; and highly reflective gold, chrome and smokey bronze. Suitable for inward or outward opening doors and supplied complete with fixing screws.

Technical information

Corrosion resistance:	Meets the requirements of BS EN 1670:2007 Grade 5 – 480 hours	
Operation:	Tested 50,000 cycles	
Max weight per door:	2 hinges up to 80kgs	3 hinges up to 100kgs

Material Specification

Hinge body and flag:	Zinc alloy casting
Coatings:	SHIELDX Coating White Hypca, 60% gloss
	SHIELDX Coating Black RAL 9005, 30% gloss
	SHIELDX Coating Brown RAL 8019, 30% gloss
	SHIELDX Coating Light Brown RAL 8003, 60% gloss
	SHIELDX Coating Gold, Chrome, Smokey Bronze
Slider:	Zinc base and yellow passivated
Exposed hinge support pins:	Stainless Steel

Adjustability

Lateral: +5mm / -5mm	Heigh: +4mm / -1mm	Compression: -2 mm / +2mm
----------------------	--------------------	---------------------------

TECHNICAL DATA



SHIELDX PVC Doors Saracen Secure 10 Year Mechanical Guarantee*

* product mechanical guarantee, excludes surface finish. Terms and conditions apply

Maxim

3D adjustable door hinge



SERIOUSLY TOUGH

Accessories

Fixing Jig: DAJGMX0001 Fixing screw, No.10 x 29mm: DNN2OT0002 Fixing screw, No.10 x 45mm: DNN2OT0003

Product Options

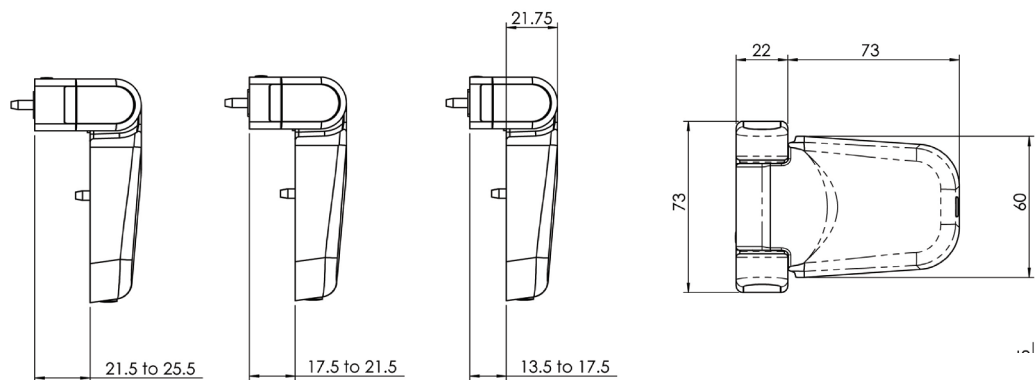
Available in White, Black, Brown, Light Brown, Gold, Chrome and Smokey Bronze finishes, in three body heights. Left and Right handed

Packing Information

24 hinges per box

Part Numbers

	White	Black	Brown	Light Brown	Gold	Chrome	Smokey Bronze
Version 1 LH	DNMXWH1L0001	DNMXBK1L0001	DNMXBN1L0001	DNMXLB1L0001	DNMXGL1L0001	DNMXCR1L0001	DNMXBZ1L0001
Version 1 RH	DNMXWH1R0001	DNMXBK1R0001	DNMXBN1R0001	DNMXLB1R0001	DNMXGL1R0001	DNMXCR1R0001	DNMXBZ1R0001
Version 2 LH	DNMXWH2L0001	DNMXBK2L0001	DNMXBN2L0001	DNMXLB2L0001	DNMXGL2L0001	DNMXCR2L0001	DNMXBZ2L0001
Version 2 RH	DNMXWH2R0001	DNMXBK2R0001	DNMXBN2R0001	DNMXLB2R0001	DNMXGL2R0001	DNMXCR2R0001	DNMXBZ2R0001
Version 3 LH	DNMXWH3L0001	DNMXBK3L0001	DNMXBN3L0001	DNMXLB3L0001	DNMXGL3L0001	DNMXCR3L0001	DNMXBZ3L0001
Version 3 RH	DNMXWH3R0001	DNMXBK3R0001	DNMXBN3R0001	DNMXLB3R0001	DNMXGL3R0001	DNMXCR3R0001	DNMXBZ3R0001



TECHNICAL DATA