

SLAVE UNIT (FRENCH DOORS)

LOCKING SYSTEM

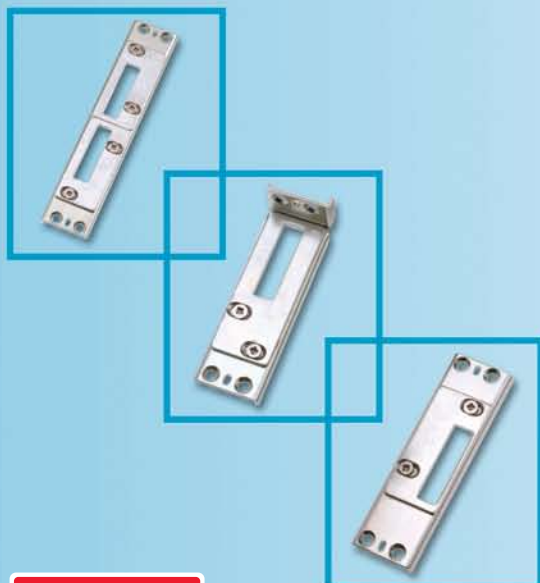
FEATURES & BENEFITS

- 10 Year Guarantee
- Available as 35mm and 45mm Backsets, with 16mm face bar
- Non-handed lock mechanism to minimise stock requirements
- Accepts standard 92mm unsprung handles and euro profile cylinders (operates with all BS and DIN specification cylinders and most other types of cylinder)
- Adjustable steel keeps giving $\pm 2.0\text{mm}$
- Easy-fit packer system for alternative profiles
- Shoot bolt engagement for additional security

LOCKING MECHANISM



SHOOT BOLT & KEEPS (6000 SERIES)



10 YEAR GUARANTEE



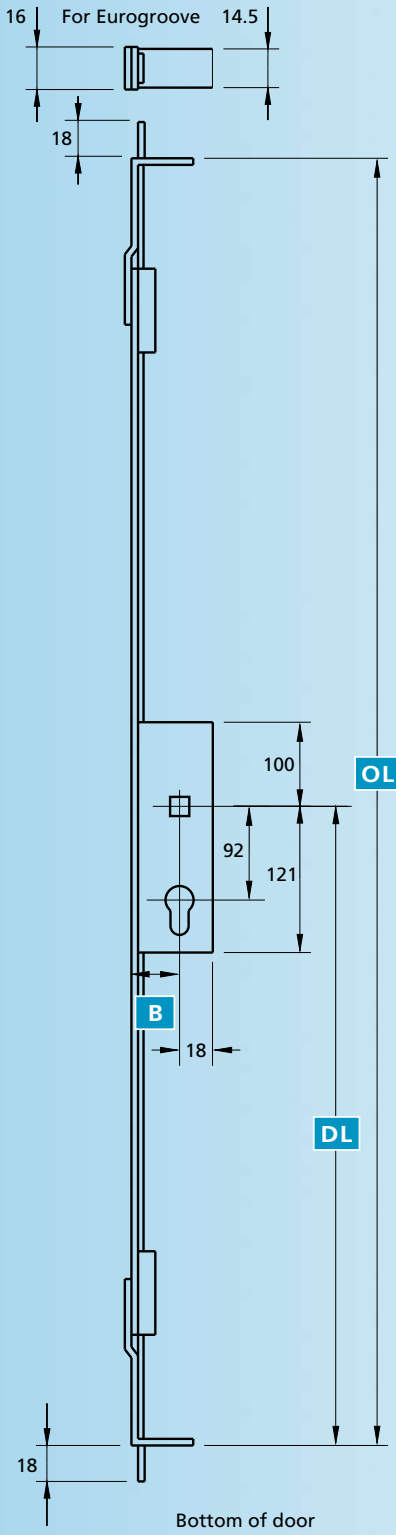
CORROSION RESISTANT



VARIETY OF EURO PROFILE CYLINDERS



The Door Lock People



To select the required slave MPL part number, use the tables below to determine:

1. The backset
2. The overall length of the unit

KEY

- B** Backset
- DL** Datum Line
- OL** Overall Length - including shoot bolts
Maximum length illustrated.
Bars can be shortened by maximum 30mm top and bottom.

LOCKING MECHANISM

B	DL	OL	Part No.	Box Qty
35	1050	2120	6535-00-85AA	5
45	"	"	6545-00-85AA	"

SHOOT BOLT (SOLD SEPARATELY)

Description	Part No.	Box Qty
High Security Shoot Bolt	5650-85	5
High Security Shoot Bolt – 20mm	5650-20-85	"
High Security Shoot Bolt – SS 430	5650-79	"
High Security Shoot Bolt – Low Threshold	5654-85	"
High Security Shoot Bolt – With Roller	5651-20-85	"

To be used in conjunction with master leaf for french doors

EXTENSION PIECE (SOLD SEPARATELY)

Description	Part No.	Finish	Box Qty
525mm Extension Piece	5660-85	Rogard	5

To be used in conjunction with master leaf for french doors

MAINTENANCE

All moving parts should be lightly lubricated using a light non-acidic mineral oil (e.g. "3 in 1") twice per year.

TECHNICAL INFORMATION

Corrosion resistance: Plated to BS EN 1670 Grade 4

MATERIALS

Lock case:	Steel BZP CR3 Passivate + Seal
Face bar:	Steel BZP CR3 Passivate + Seal
Shoots bolts/Ext Piece:	Steel BZP CR3 Passivate + Seal
Keeps:	Steel BZP CR3 Passivate + Seal

Not to scale.

All dimensions are in mm and are nominal.
ERA Products reserves the right to change specification without notice.

