

BRITISH STANDARD KEYLESS EGRESS NIGHTLATCH



BS8621:2004

The conflict between a secure British Standard accredited front door lock and fire safety recommendations has now been overcome thanks to the new Keyless Egress Range.

The new **BS 8621:2004** standard mirrors the **BS 3621:2004** but is for 'escape' locks. The locks are classified as providing keyless egress at all times. This applies where there is a requirement for an easy action method of opening an external door from the inside with no need for keys or similar devices for unlocking. Especially relevant for entrance doors in multi-residential and other buildings. A keyless lever on the inside of the door ensures it is possible to make an emergency escape in the event of a fire.

ORDERING DETAILS

40mm Backset (Narrow Style)

Brass Effect body, Brass Cylinder **1530-31**

Satin Chrome body, Satin Cylinder **1530-35-1**

Polished Chrome body, Chrome Cylinder **1530-37-1**

Satin Nickel body, Satin Cylinder **1530-40-1**

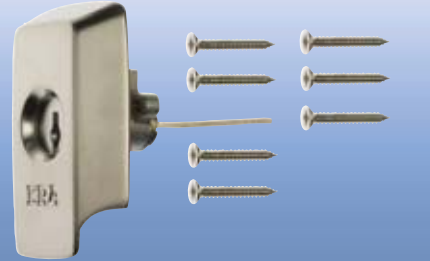
60mm Backset (Standard Style)

Brass Effect body, Brass Cylinder **1730-31**

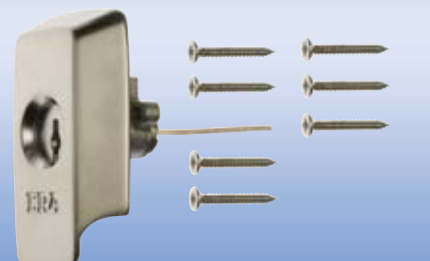
Satin Chrome body, Satin Cylinder **1730-35-1**

Polished Chrome body, Chrome Cylinder **1730-37-1**

Satin Nickel body, Satin Cylinder **1730-40-1**

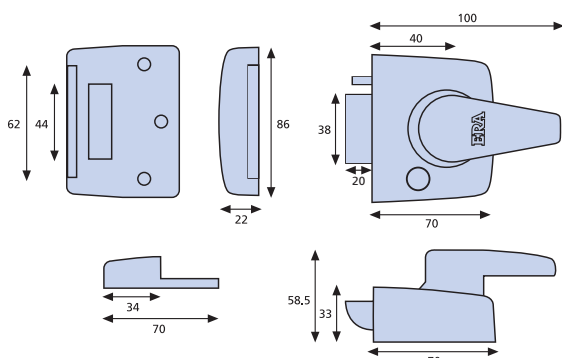


40MM BACKSET

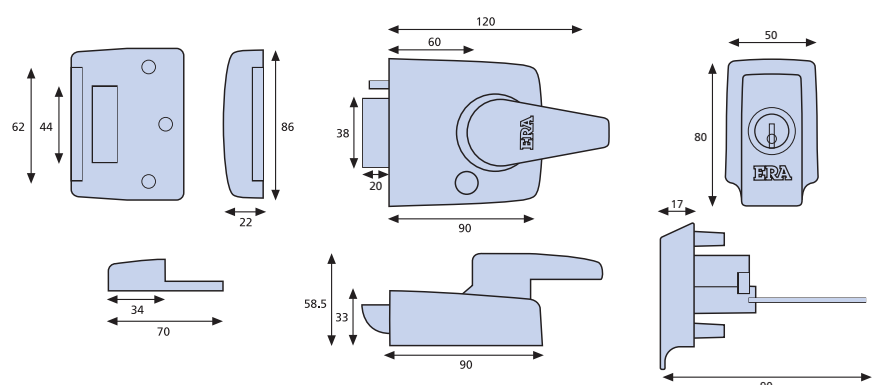


60MM BACKSET

40mm Backset (Narrow Style)



60mm Backset (Standard Style)



All dimensions in mm.