

BS3621:2004



BRITISH STANDARD HIGH SECURITY NIGHTLATCH



The **BS High Security Nightlatch** features an integral cylinder pull which protects the cylinder from being drilled. The cylinder also has well over 30,000 cut key variations. The Nightlatch also comes with a 20mm bolt throw for greater security and strength. This product is ideally suited for glass panelled wooden doors, as it has been designed with an ergonomic internal lockable handle offering added security against forced entry.

The main lock bolt "automatically" deadlocks, this makes the use of a credit card to force entry virtually impossible. The bolt can also be held in the withdrawn position (only) with the use of the snib feature.

The BS High Security Nightlatch conforms to British Standard 3621:2004 (BS EN 12209), and meets the tough criteria laid down by the insurance companies and the Police.

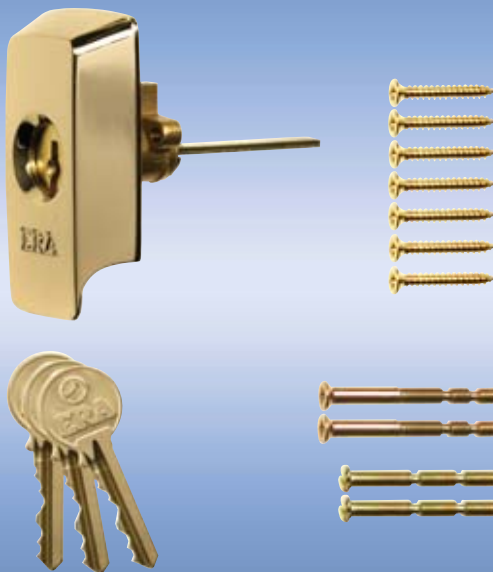
ORDERING DETAILS

40mm Backset (Narrow Style)

Brass body,brass cylinder, boxed	1830-31
Brass body,brass cylinder, clam	1830-32
Satin Chrome body, satin cylinder, boxed	1830-35-1
Satin Chrome body, satin cylinder, clam	1830-35-2
Polished Chrome body, chrome cylinder, boxed	1830-37-1
Polished Chrome body, chrome cylinder, clam	1830-37-2
Satin nickel body, satin cylinder, boxed	1830-40-1
Satin nickel body, satin cylinder, clam	1830-40-2

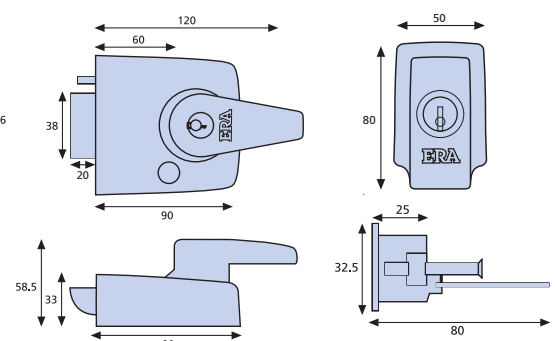
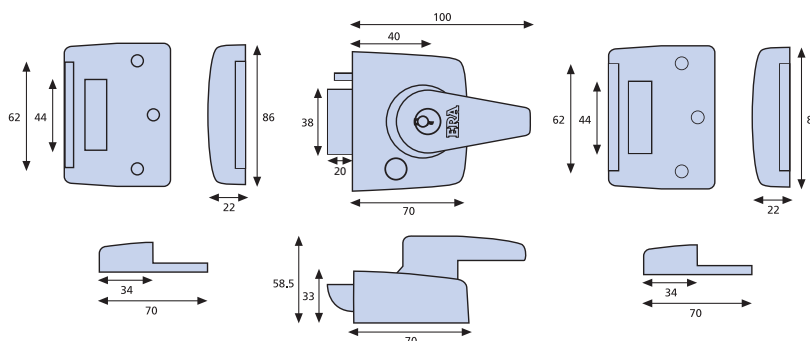
60mm Backset (Standard Style)

Brass body,brass cylinder, boxed	1930-31
Brass body,brass cylinder, clam	1930-32
Satin Chrome body, satin cylinder, boxed	1930-35-1
Satin Chrome body, satin cylinder, clam	1930-35-2
Polished Chrome body, chrome cylinder, boxed	1930-37-1
Polished Chrome body, chrome cylinder, clam	1930-37-2
Satin nickel body, satin cylinder, boxed	1930-40-1
Satin nickel body, satin cylinder, clam	1930-40-2



40mm BS Nightlatch

60mm BS Nightlatch



All dimensions in mm.