

DOUBLE LOCKING NIGHTLATCH

The ERA Double Locking Nightlatch is available in both 40mm and 60mm backset, designed to replace most existing front door locks. The product is ideally suited for solid and glass panelled wooden doors, as it has been designed with an ergonomic internal locking handle offering added security against forced entry.

The main lock bolt is "automatically" deadlocked when the door is closed, preventing the main bolt being retracted by a credit card. The inside handle can be deadlocked by an anti-clockwise turn of the key from the inside so securing the lock against forced entry. The bolt can be held in the withdrawn position (only) with the use of the snib feature.

The nightlatch case is available in brass, grey and a range of chrome finishes, with matching brass and satin rim cylinders.

The bolt cannot be reversed.

ORDERING DETAILS

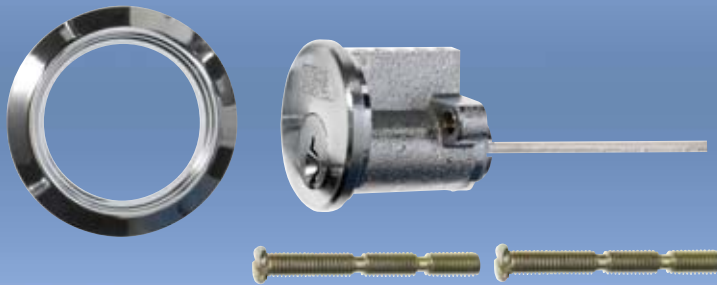
Double Locking Nightlatch

40mm Backset (Narrow Style)

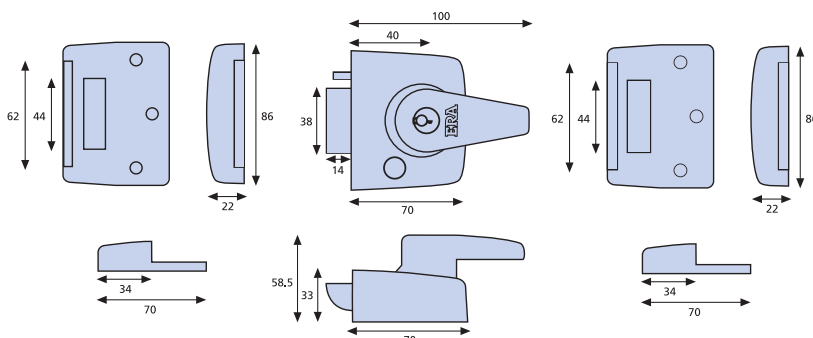
Brass body, brass cylinder, boxed	183-31
Brass body, brass cylinder, clam	183-32
Grey body, brass cylinder, boxed	184-31
Grey body, brass cylinder, clam	184-32
Satin chrome body, satin cylinder, boxed	183-35-1
Satin chrome body, satin cylinder, clam	183-35-2
Polished chrome body, chrome cylinder, boxed	183-37-1
Polished chrome body, chrome cylinder, clam	183-37-2
Satin nickel chrome body, satin cylinder, boxed	183-40-1
Satin nickel chrome body, satin cylinder, clam	183-40-2

60mm Backset (Standard Style)

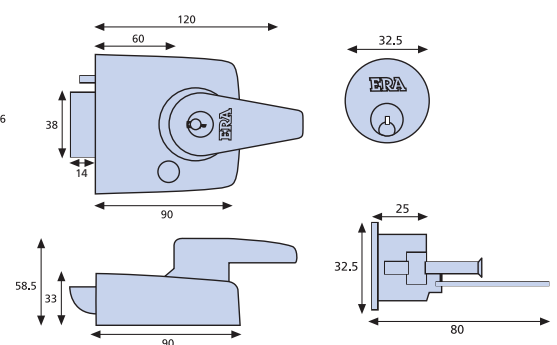
Brass body, brass cylinder, boxed	193-31
Brass body, brass cylinder, clam	193-32
Grey body, brass cylinder, boxed	194-31
Grey body, brass cylinder, clam	194-32
Satin chrome body, satin cylinder, boxed	193-35-1
Satin chrome body, satin cylinder, clam	193-35-2
Polished chrome body, chrome cylinder, boxed	193-37-1
Polished chrome body, chrome cylinder, clam	193-37-2
Satin nickel chrome body, satin cylinder, boxed	193-40-1
Satin nickel chrome body, satin cylinder, clam	193-40-2



40mm Double Locking Nightlatch



60mm Double Locking Nightlatch



All dimensions in mm.