

TRADITIONAL DOOR LOCK

The **ERA Traditional Door Lock** has been designed to replace most existing front door locks, providing added security to new exterior and interior doors.

The lock is suitable for left or right handed operation, inward or outward opening doors*. A simple snib button deadlocks the latch from the inside.

The Traditional Door Lock is available in brass or green finish, and has a choice of brass or satin finish cylinders, supplied with three cut keys.

*For outward opening doors the staple must be purchased separately (only available in Green).

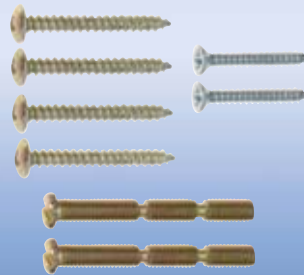
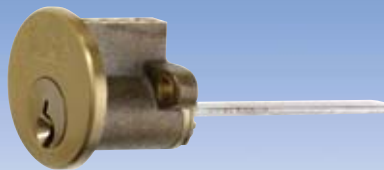


ORDERING DETAILS

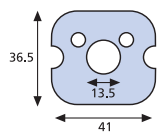
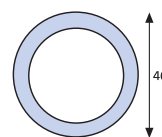
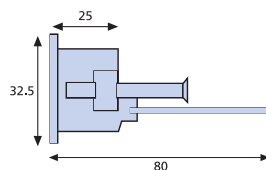
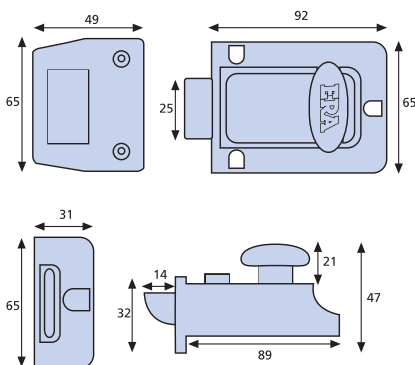
Traditional Door Locks

60mm Backset (Standard Style)

Green body, brass cylinder, box	133-81
Green body, brass cylinder, clam pack	133-82
Green body, satin cylinder, box	135-81
Green body, satin cylinder, clam pack	135-82
Brassed body, brass cylinder, box	133-31
Brassed body, brass cylinder, clam pack	133-32
Chrome body, chrome cylinder, box	136-61
Chrome body, chrome cylinder, clam pack	136-62



Traditional Door Lock



All dimensions in mm.