

# 2 AND 3 LEVER MORTICE LOCKS

The **ERA Range of 2 and 3 Lever Mortice Locks** are low cost and offer added security for internal doors and outside applications such as sheds.

The **2 Lever Sashlock** is available in 2½" and 3", in both brass effect and satin finishes. The numbered steel keys are supplied with over 36 variations.

The **3 Lever Locks** are available as Sashlock or Deadlock, 2½" and 3", in both brass effect and satin finishes. Two numbered steel keys are supplied with over 100 variations.

Both the 2 and 3 Lever Sashlocks have easily reversible bolts.

## ORDERING DETAILS

### 2 Lever Sashlock

Brass Effect 64mm (2½")	<b>468-31</b>
Brass Effect 76mm (3")	<b>568-31</b>

### 3 Lever Deadlock

Brass Effect 64mm (2½")	<b>472-31</b>
Satin 64mm (2½")	<b>472-51</b>
Brass Effect 76mm (3")	<b>572-31</b>

### 3 Lever Sashlock

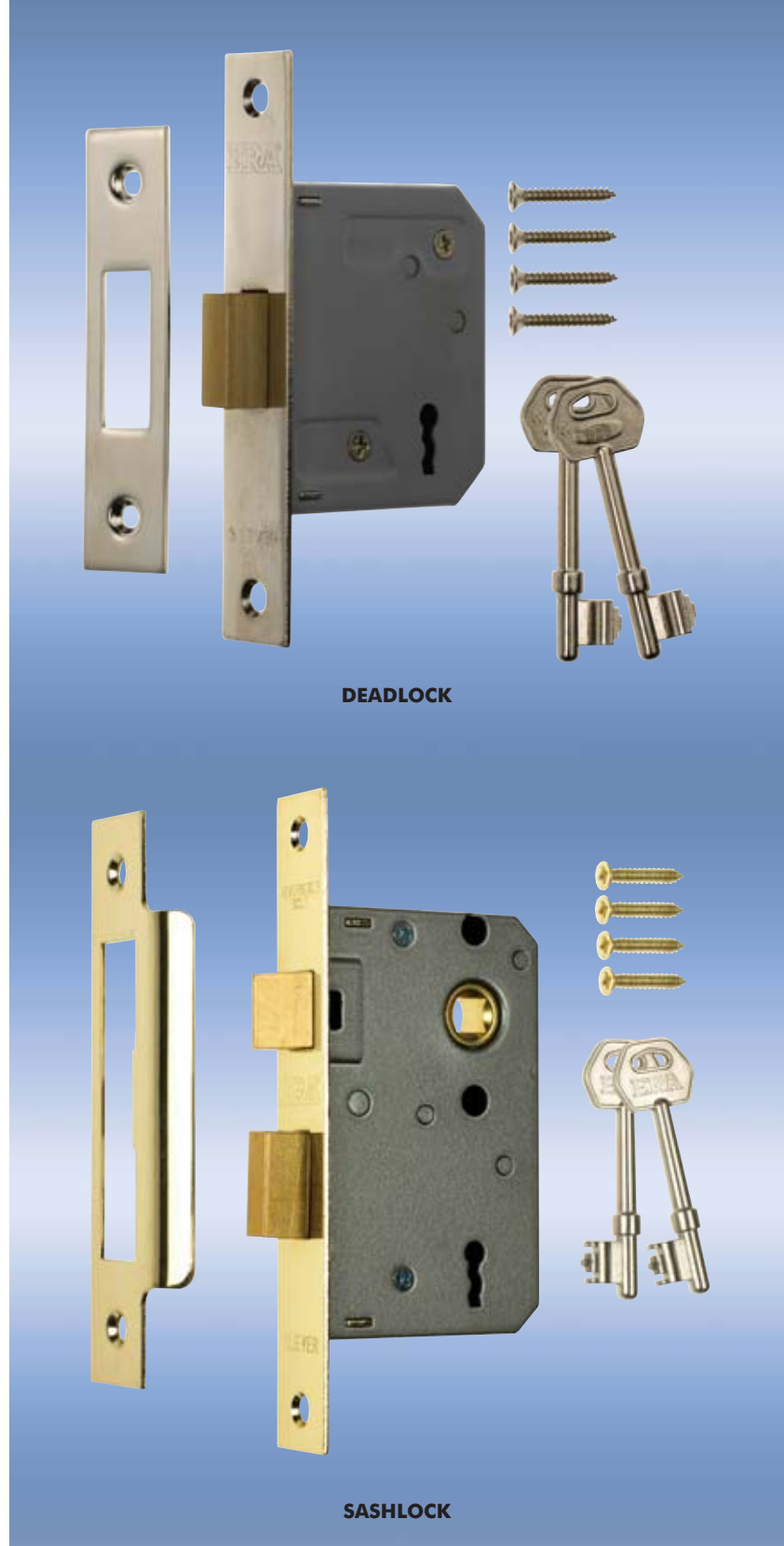
Brass Effect 64mm (2½")	<b>473-31</b>
Satin 64mm (2½")	<b>473-51</b>
Brass Effect 76mm (3")	<b>573-31</b>
Satin 76mm (3")	<b>573-51</b>

The above products are also available Clam-Packed.

Spare steel key blank

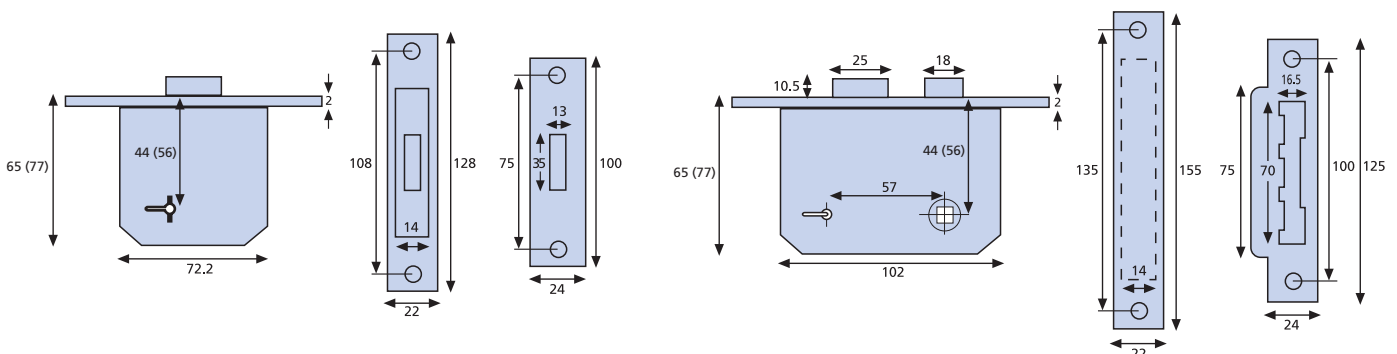
Note: Order according to key differ number.

C01:C15-S01:S50	<b>605-56LH</b>
C16:C30-S51:S100	<b>605-56RH</b>
D01:D20	<b>606-56LH</b>
D21:D40	<b>606-56RH</b>



3 Lever Deadlock

2 and 3 Lever Sashlock



All dimensions in mm. Numbers in brackets relate to 3" version of lock