

CLOSE SHACKLE PADLOCK & NARROW STYLE LOCKING BAR

The **ERA Close Shackle Padlock** has a 5 brass lever locking mechanism with a close hardened steel shackle. Master keying of this product is available. Doors up to 63mm thick can be secured when used in conjunction with the **ERA Narrow Style Security Locking Bar**. This locking bar is manufactured from heavy malleable iron castings for maximum strength. The hardened forged-steel hasp conceals the staple to prevent hacksawing and forced wrenching.

ORDERING DETAILS

Close Shackle Padlock

64mm (2 1/2") 5 Lever Padlock **975-91**

64mm (2 1/2") 5 Lever Padlock **975-92**

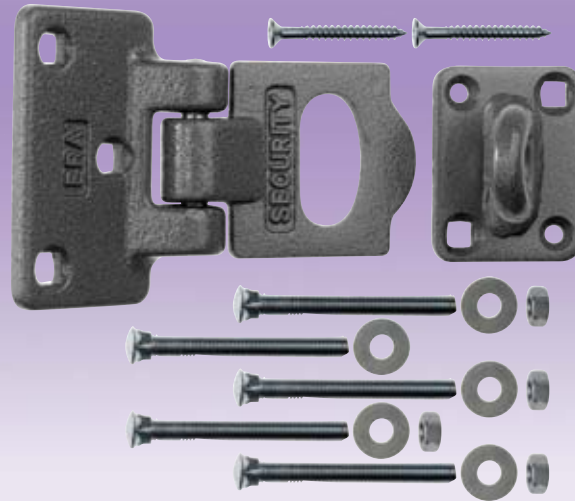
The Close Shackle Padlock is also available to pass and also under a master key.

Narrow Style Locking Bar

Narrow Style **125-41**

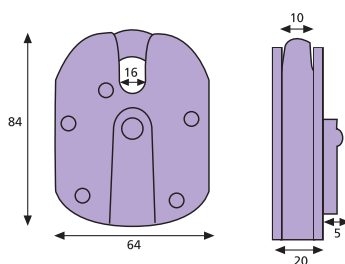


CLOSE SHACKLE PADLOCK

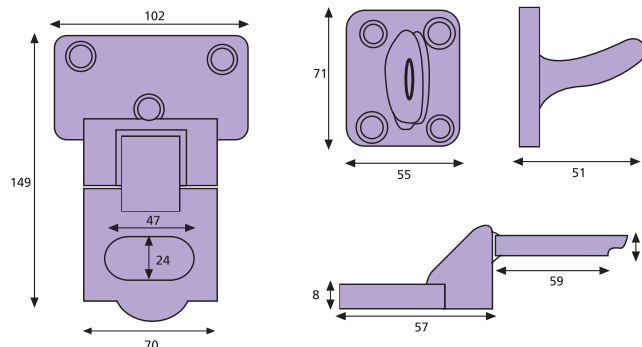


NARROW STYLE LOCKING BAR

Close Shackle Padlock



Narrow Style Locking Bar



All dimensions in mm.