

# HIGH SECURITY WINDOW LOCKS

The **ERA Swinglock** is suitable for most wooden casement windows. The lock pivots to latch when the window is closed. The fixing screws are concealed when in the locked position. The locking action pulls the window tight into the frame, thus reducing drafts.

The **ERA Metal Swinglock** is suitable for most metal casement windows. The lock pivots to latch when the window is closed. The fixing screws are concealed when in the locked position. The locking action pulls the window tight into the frame, thus reducing drafts.

The **ERA Metal Window Lock** fits most metal windows including casement, side hung, pivot and top hung. The Metal Window Lock uses a cut key to lock and unlock. Fixing screws are self-tapping.

The **ERA Flush Pivot Lock** is suitable for most wooden windows, including casement, side hung, pivot, top hung and sliding. Each lock is supplied with a box keep in matching finish. The Flush Pivot Lock uses a cut key to lock and unlock. The hardened steel bolt is deadlocked in the box keep. Fitting is by thief-deterrent clutch-head screws.

## ORDERING DETAILS

### Swinglock Wooden Window – Standard Key

White **809-12**

### Swinglock Metal Window – Standard Key

White – 2 per card **903-12**

### Metal Window Lock – Cut Key

White **901-12**

### Spare Key for Metal Window Lock

Cut key **591-56**

Blank key **682-56**

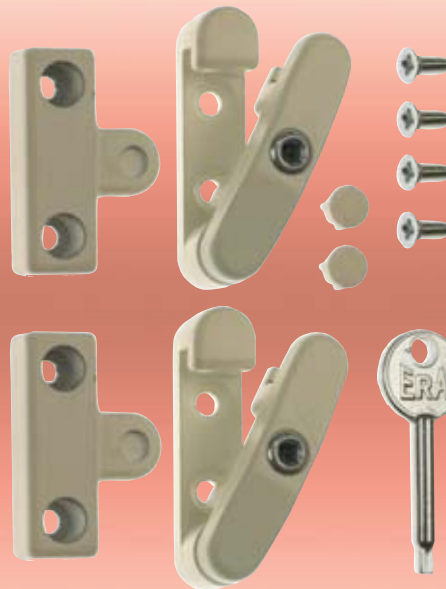
### Flush Pivot Lock – Cut Key

White **902-12**

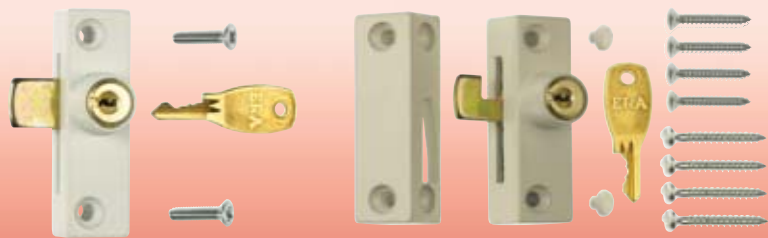
Brassed **902-32**



SWINGLOCK FOR WOODEN WINDOWS



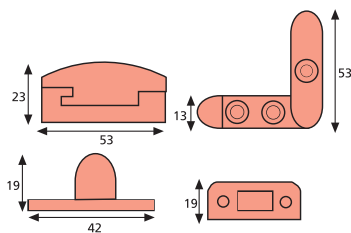
SWINGLOCK FOR METAL WINDOWS



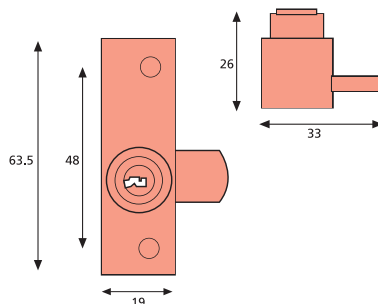
METAL WINDOW LOCK

FLUSH PIVOT LOCK

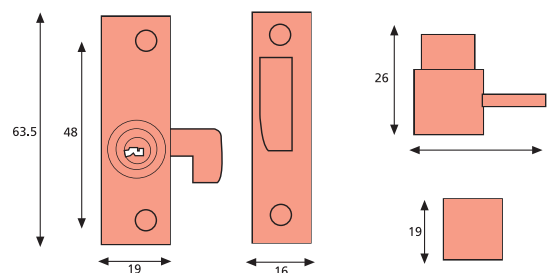
Swinglock



Metal Window Lock



Flush Pivot Lock



All dimensions in mm.