

PVCu WINDOW LOCKS

The **PVCu Snaplock** increases the security on PVCu windows. The product takes its name from the simple operation that allows it to 'snap' into place and 'lock' quickly and easily.

No fitting jig is required because it screws into existing installations and supplements the locking devices that are in place already. This versatile product can be fitted to open-in or open-out windows and can be fixed securely to both reinforced and non-reinforced sections. It is also suitable for upgrading security on PVCu doors.

The lock and handle are combined into one unit on the PVCu Snaplock and with both keyed and keyless versions available, it couldn't be simpler to use. The Key version has 100 key variations. Screws and full fitting instructions are supplied, making DIY installation straightforward.

ORDERING DETAILS

PVCu Snaplock - Keyless Window Lock

White	830-12
Brown	830-22

PVCu Snaplock - Keyed Window Lock

White	832-12
Brown	832-22

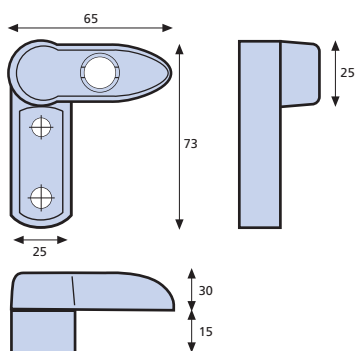


PVCu SNAPLOCK - KEYLESS

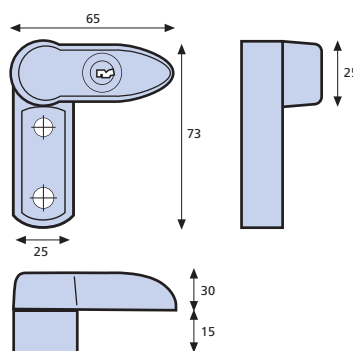


PVCu SNAPLOCK - KEYED

Keyless Window Lock



Keyed Window Lock



All dimensions in mm.