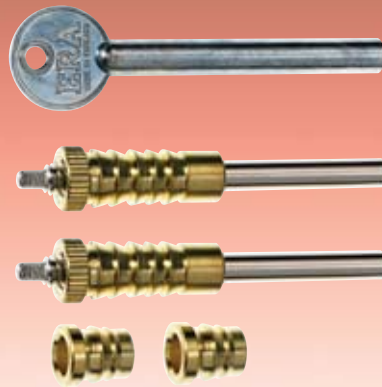
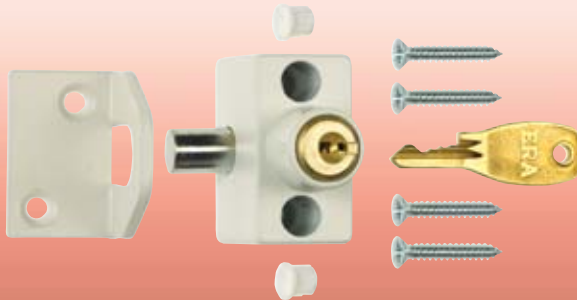


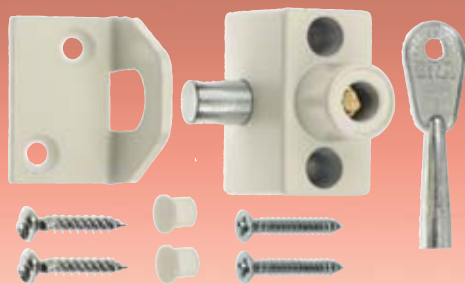
HIGH SECURITY WINDOW LOCKS



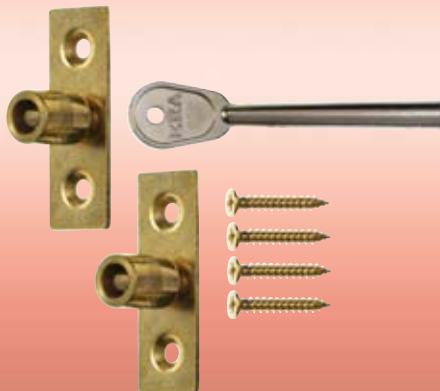
DUAL SCREWS



SASHBOLT - CUT KEY VERSION



SASHBOLT - STANDARD KEY VERSION



SASH LOCK

The **ERA Dual Screw** fits most sash windows and is concealed when fitted, offering added security. The lock uses a key operated locking pin in brass bushes.

The **ERA Window Bolt** is suitable for most types of wooden windows including casement, side hung, top hung and sash windows. Simply press the spring bolt to lock and use the key to unlock. A choice of finishes are available. Plugs conceal and protect the fixing screws. The rotating steel bolt resists hacksawing. The ERA Window Bolt is available with either a cut or standard key.

The **ERA Sash Lock** fits most sash windows. Constructed of steel, it provides a locking window stop which secures the window in the closed position using a standard key.

ORDERING DETAILS

Dual Screw - Standard Key

Brass - 2 per card	826-32
Brass - 6 per card	826-33
Spare key for Dual Screw	584-56

Sash Bolt - Cut Key

White	804-12
Brown	804-22
Brassed	804-32

Sash Bolt - Standard Key

White	803-12
Brown	803-22

Window Bolt/Sash Bolt - Cut Key

White	854-12
Brown	854-22

Window Bolt/Sash Bolt - Standard Key

White	853-12
Brown	853-22

Sash Lock - Standard Key

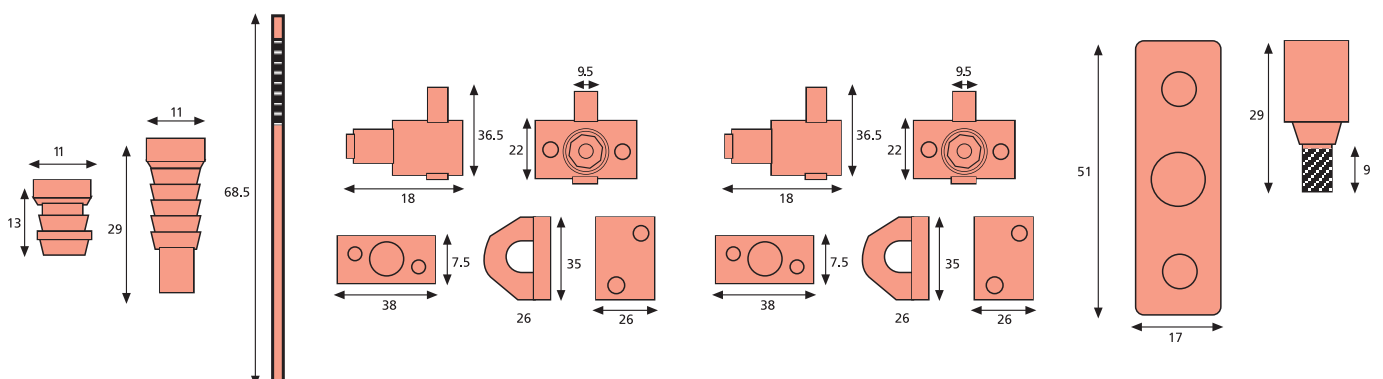
Brass - 2 per card	822-32
Satin - 2 per card	822-52
Spare key for Sash Lock	582-56

Dual Screw

Sashbolt - Cut Key

Sashbolt- Standard Key

Sash Lock



All dimensions in mm.