

CHARISMA 2

autolock espagnolette operating handle

Charisma 2 is a new generation of window handles, superbly engineered with a sense of style and imagination.

Designed with a distinctive grip, Charisma 2 has a large button providing positive location for ease of operation and added safety.

The handle may be deadlocked for enhanced security.

Available in offset and in-line versions, Charisma 2 features a positive stop (offset) with contrasting finishes in white, gold and chrome.

Charisma 2 is a modern imaginative design of proven quality with a positive action compatible with a wide range of operating mechanisms.



Technical Information

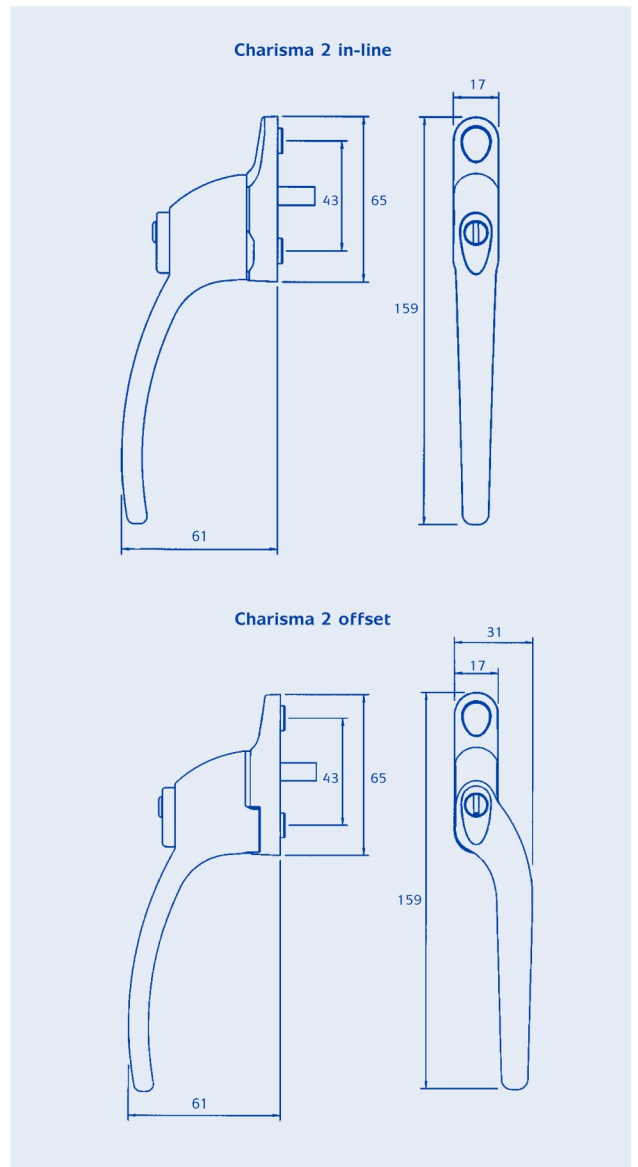
Corrosion resistance:	Meets the Requirements of BS EN 1670:2007 Grade 3
Operation:	Internal Test Procedure D0102

Material Specification

Handle Grip & Back Plate:	Zinc Alloy Castings to BS EN12844:1999 Aluminium Alloy to BS EN 1676:1997
Coatings:	White or Black Powder Paint Polished Gold Satin Chrome Plate Electroplated to BS EN 12540:2000 Polished Chrome Plate Electroplated to BS EN 12540:2000
Cylinder:	Acetal (POM) (Silver)
Button:	Acetal (POM) (Black)

Product Options

Available in White, Black, Gold and Chrome finishes, In-line and Offset versions with Locking or Non-Locking options. See opposite for complete list of product codes.



PTO



ESPAÑOLETTE AUTOLOCK



OFFSET



IN-LINE



PVCu WINDOWS



TIMBER WINDOWS



SECURED BY DESIGN



ASSESSMENT 2638



10 YEAR GUARANTEE

CHARISMA 2

Part Numbers

Offset	Locking LH	Locking RH	Non-Locking LH	Non-Locking RH
White	WHC2AWHXXLLBW	WHC2AWHXXRLBW	WHC2AWHXXLNBW	WHC2AWHXXRNWB
Polished Gold	WHC2ZMGXXLLBB	WHC2ZMGXXRLBB	WHC2ZMGXXLNB	WHC2ZMGXXRNBB
Polished Chrome	WHC2ZCHXXLLBB	WHC2ZCHXXRLBB	WHC2ZCHXXLNB	WHC2ZCHXXRNBB
Satin Chrome	WHC2ZSPXXLLBB	WHC2ZSPXXRLBB	WHC2ZSPXXLNB	WHC2ZSPXXRNBB
Black	WHC2ABKXXLLBB	WHC2ABKXXRLBB	WHC2ABKXXLNB	WHC2ABKXXRNBB

In-line	Locking	Non-Locking
White	WHC2AWHXXILBW	WHC2AWHXXINBW
Polished Gold	WHC2ZMGXXILBB	WHC2ZMGXXINBB
Polished Chrome	WHC2ZCHXXILBB	WHC2ZCHXXINBB
Satin Chrome	WHC2ZSPXXILBB	WHC2ZSPXXINBB
Black	WHC2AVBKXXILBB	WHC2ABKXXINBB

Accessories

Screw Covers

Black: WACCBL5880
White: WACCWH5880

Spindle Options

9mm, 15mm, 20mm, 25mm, 30mm, 40mm

NB: Add "XX" spindle length to complete code

i.e. Charisma 2 white 15mm, Left hand, Locking: WHC2AWH15LLBW

Packing Information

25 handles per box.

All handles are packaged individually with keys (where appropriate), screws and screw covers.