

# HOPPE TOKYO

## tilt and turn handle

### Ultra modern design

The Tokyo is an ultra modern handle design solution for tilt and turn mechanisms. Designed with a distinctive grip, the Tokyo has radiused edges to the backplate, producing a softer style.

Manufactured from high quality aluminium, the Tokyo handle is designed for use with tilt and turn and tilt before turn mechanisms.

The Tokyo is available in a choice of non-locking, locking and push button options in white powder coated, anodised gold and silver finishes.



### Technical information

#### Corrosion

resistance: Meets the Requirements of  
BS EN 1670:2007

Operation: Cycle tested

### Material specification

#### Handle Grip

and Back Plate: Cast aluminium grip and cover plate

Coatings: Gold F3

Silver F1

White – powder coated RAL9010-UV

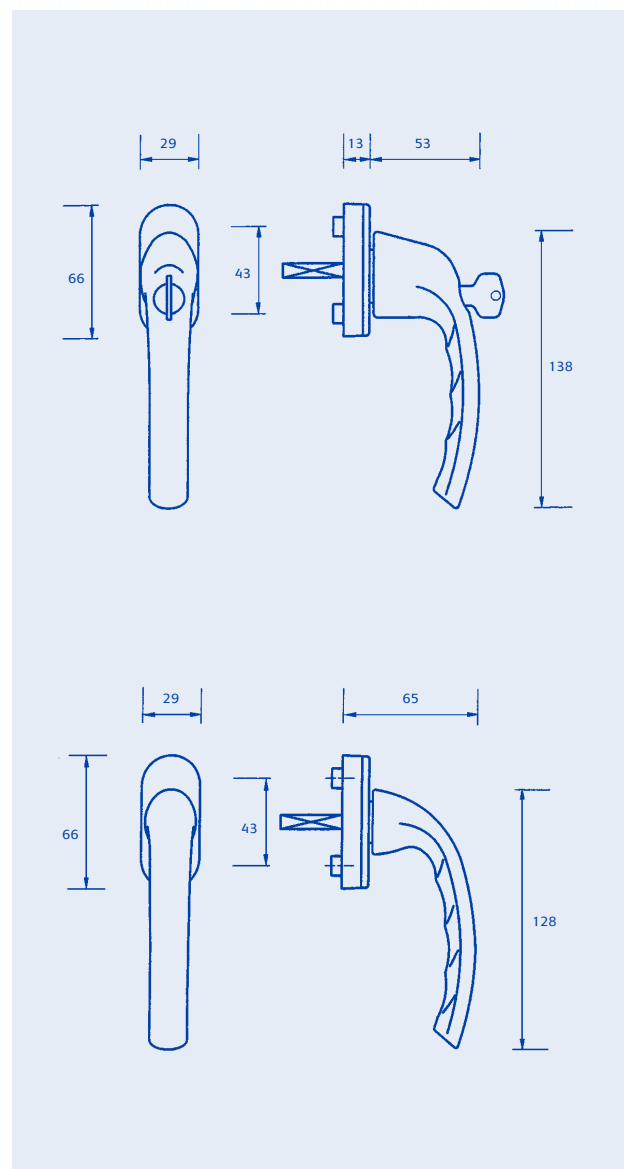
Cylinder: Nickel Plated

Spindle: Mild steel, yellow passivated, 7mm square

### Product Options

Available in White, Gold and Silver finishes, in the following versions: non-locking tilt and turn; locking tilt and turn; locking tilt before turn; push button tilt and turn.  
32mm spindle (38mm to order).

See opposite for complete list of product codes.



SARACEN  
SECURE



ESPAÑOLETTE



LOCKING



NON-LOCKING



TILT SAFE



IN-LINE



PVCu  
WINDOWS



ALUMINIUM  
WINDOWS



TIMBER  
WINDOWS



10  
YEAR  
GUARANTEE

## Part numbers

	Locking TBT (32mm)	Non-locking (32mm)	Locking TBT (38mm)*
White	WHTTWH3218	WHTTWH3212	WHTTWH3221
Gold	WHTTGA3219	WHTTGA3213	WHTTGA3220
Silver	WHTTSA3217	WHTTSA3211	WHTTSA3218

## Accessories

### Key

DACKOT0008

### Spindle Options

32mm

38mm (to order)\*

## Packing information

10 handles per box.

All handles supplied with keys (where appropriate) and covers.