

# MAXIM

## tilt and turn operating handle

Elegant solution for tilt and turn windows.

Maxim is an elegant and robust operating handle designed specifically for tilt and turn window applications.

Engineered with a firm grip, the Maxim has been designed for both residential and commercial applications, providing a positive and secure operation for any size window.

Maxim is available in three versions Turn/ Tilt locking and non locking and Tilt Safe designs.

The Tilt Safe mode allows movement to tilt position when locked, allowing ventilation without compromising safety.

Maxim has been designed specifically to suite with the Maxim casement window handle.



### Technical Information

**Corrosion resistance:** Meets the requirements of BS EN 1670: 2007 Grade 3 (96 hours)

**Operation:** Tested in excess of 25,000 cycles

### Material Specification

**Bars:** Zinc Alloy Castings to BS EN 12844:1999

**Coatings:** Black Powder Paint RAL 9005, 60% gloss

Polished Chrome  
electroplated to BS 12540:2000

Gold Anodised satin gold (F3)

Polished Gold  
electroplated to BS 12540:2000

Silver Anodised satin silver (F1)

Satin Chrome  
electroplated to BS 12540:2000

White Powder Paint RAL 9016, 60% gloss

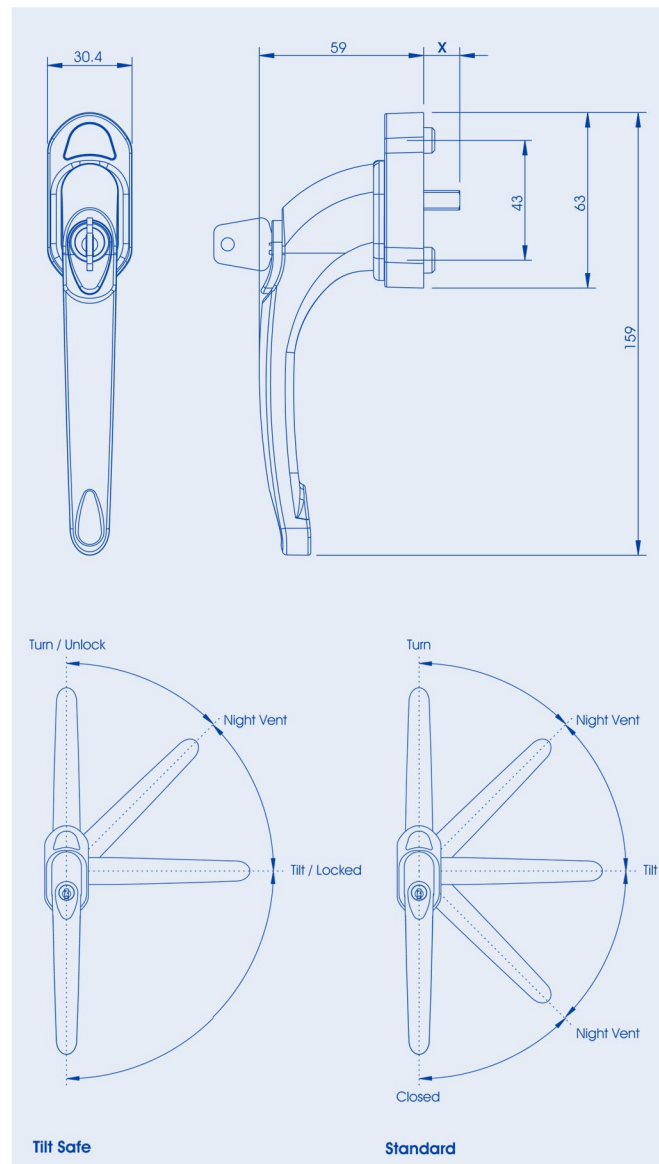
**Cylinder:** Plate Nickel, Key Locking

**Screw Cover:** Anodised or Power Paint Coated to Suite

### Product Options

Available in Black, Polished Chrome, Gold Anodised, Polished Gold, Silver Anodised, Satin Chrome and White finishes, In-line version only with locking, non locking or Tilt Safe options.

See opposite for complete list of product codes.



ESPAÑOLETTE



LOCKING



NON-LOCKING



TILT SAFE



IN-LINE



PVCu  
WINDOWS



ALUMINIUM  
WINDOWS



TIMBER  
WINDOWS



SARACEN  
SECURE



10  
YEAR  
GUARANTEE

## Part Numbers

30mm Spindle	Locking	Non-Locking (no button)	Tilt Safe
Black	WHMTBK30ILNBB	WHMTBK30INNB	WHMTBK30ITNBB
Chrome	WHMTCH30ILNBB	WHMTCH30INNB	WHMTCH30ITNBB
Gold Anodised	WHMTGA30ILNBB	WHMTGA30INNB	WHMTGA30ITNBB
Gold	WHMTMG30ILNBB	WHMTMG30INNB	WHMTMG30ITNBB
Silver Anodised	WHMTSA30ILNBB	WHMTSA30INNB	WHMTSA30ITNBB
Satin Chrome	WHMTSP30ILNBB	WHMTSP30INNB	WHMTSP30ITNBB
White (Black Button)	WHMTWH30ILNBW	WHMTWH30INNWW	WHMTWH30ITNBW
White (White Button)	WHMTWH30ILNWW	-	WHMTWH30ITNWW

35mm Spindle	Locking	Non-Locking (no button)	Tilt Safe
Black	WHMTBK35ILNBB	WHMTBK35INNB	WHMTBK35ITNBB
Chrome	WHMTCH35ILNBB	WHMTCH35INNB	WHMTCH35ITNBB
Gold Anodised	WHMTGA35ILNBB	WHMTGA35INNB	WHMTGA35ITNBB
Gold	WHMTMG35ILNBB	WHMTMG35INNB	WHMTMG35ITNBB
Silver Anodised	WHMTSA35ILNBB	WHMTSA35INNB	WHMTSA35ITNBB
Satin Chrome	WHMTSP35ILNBB	WHMTSP35INNB	WHMTSP35ITNBB
White (Black Button)	WHMTWH35ILNBW	WHMTWH35INNWW	WHMTWH35ITNBW
White (White Button)	WHMTWH35ILNWW	-	WHMTWH35ITNWW

40mm Spindle	Locking	Non-Locking (no button)	Tilt Safe
Black	WHMTBK40ILNBB	WHMTBK40INNB	WHMTBK40ITNBB
Chrome	WHMTCH40ILNBB	WHMTCH40INNB	WHMTCH40ITNBB
Gold Anodised	WHMTGA40ILNBB	WHMTGA40INNB	WHMTGA40ITNBB
Gold	WHMTMG40ILNBB	WHMTMG40INNB	WHMTMG40ITNBB
Silver Anodised	WHMTSA40ILNBB	WHMTSA40INNB	WHMTSA40ITNBB
Satin Chrome	WHMTSP40ILNBB	WHMTSP40INNB	WHMTSP40ITNBB
White (Black Button)	WHMTWH40ILNBW	WHMTWH40INNWW	WHMTWH40ITNBW
White (White Button)	WHMTWH40ILNWW	-	WHMTWH40ITNWW

## Accessories

### Keys

WAKENK5896

### Non-Locking Plug (converts a locking handle to a non-locking)

WAGRBL14800

### Spindle Options

30mm, 35mm, 40mm

## Packing Information

25 handles per box.

All handles supplied with keys (where appropriate) and screw covers.