

CASEMENT RESTRICTOR STAY

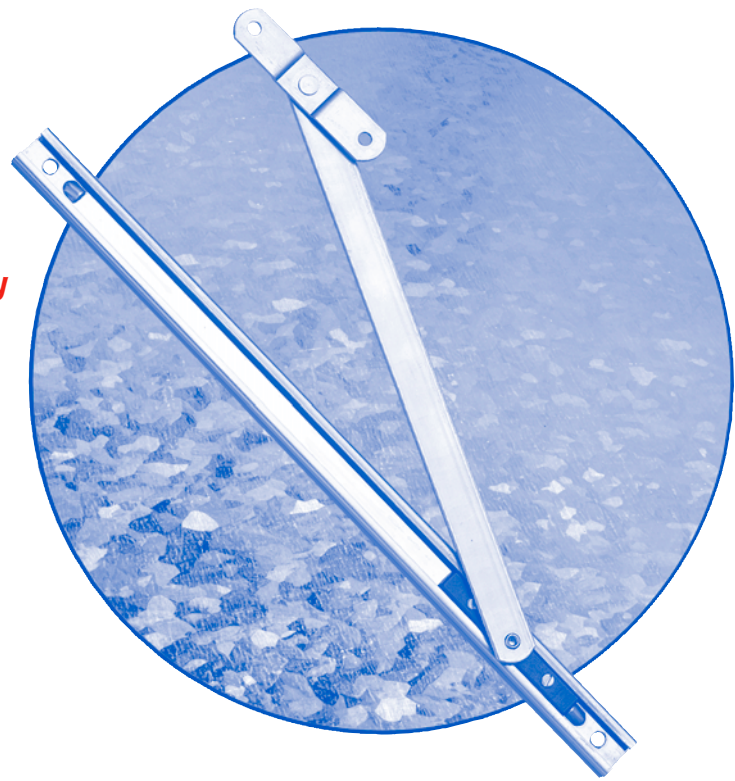
for added safety and window stability

The Casement restrictor stay is designed for side and top hung windows and limits the opening angle of the window.

The stability and safety of the window opening is improved by providing additional support to the existing hinge.

The casement stay is totally concealed when the sash is closed and is available in a range of lengths to suit all window sizes.

Friction is controlled by an adjustment screw.



Technical information

Corrosion resistance:	Meets the Requirements of BS EN 1670:2007
Performance:	Meets the requirements of BS6375-1:2004 Tested to 20,000 cycles of opening
Operation:	Meets the requirements of BS6375-2:1987

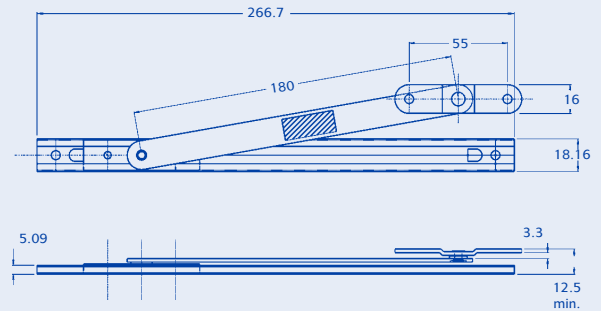
Material specification

Bars, Arms & Rivets:	Stainless Steel BS EN 10088-2:1995 Ferritic – 1.4016 (430 S17)
Mouldings:	Glass filled Nylon
Friction Screw:	Brass CW614N BS EN 12164:1998

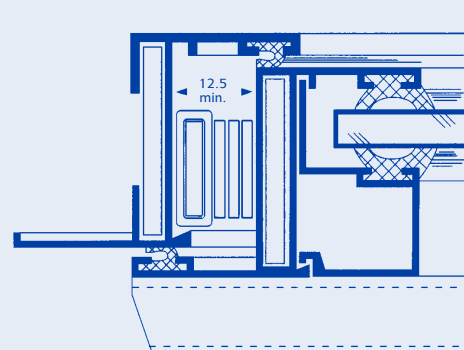
Product options

Available in sizes 6", 10", 12", 14" and 16".
See opposite for complete list of product codes.

10" Casement Restrictor Stay



Typical Installation



BS 8213



BS 6375



FERRITIC



10 YEAR GUARANTEE

CASEMENT RESTRICTOR STAY

Part numbers

Size		Code
06"	152mm	WFCSXX0600
10"	262mm	WFCSXX1000
12"	311mm	WFCSXX1200
14"	370mm	WFCSXX1400
16"	414mm	WFCSXX1600

Packing information

Size		No per pack	Weight
6"	152	100	8.2kg
10"	262	100	12.7kg
12"	311	100	16kg
14"	370	50	8.34kg
16"	414	50	10kg