

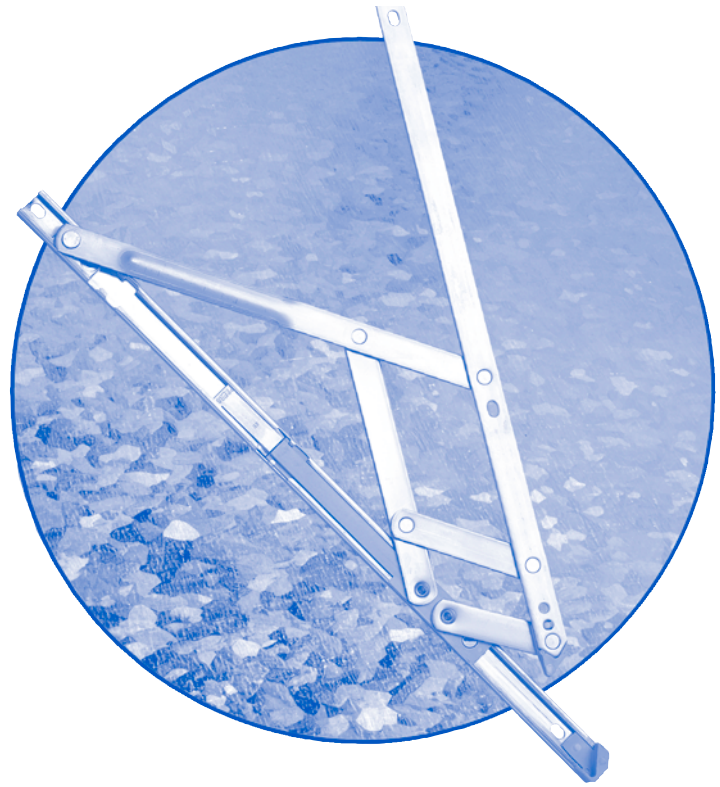
# SECURISTYLE DEFENDER RESTRICTOR

friction hinges

## Friction hinge for child safety.

With window safety a major priority, the Defender with built-in restrictor combines two essential features in one mechanism – a child-resistant lever which not only limits window opening for maximum safety but with a quick release function, also allows the window to be fully opened for easy cleaning or emergency escape.

Providing proven weather-sealing and security of closure, the family of easy-fit Securistyle hinges offer clear cut features and benefits.



## Technical information

<b>Corrosion resistance:</b>	Meets the Requirements of BS EN 1670:2007
<b>Performance:</b>	Meets the requirements of BS6375-1:1989 Tested to 40,000 cycles of opening
<b>Operation:</b>	Meets the requirements of BS6375-2:1987 Designed to meet the requirements of BS8213 Pt 1: 1991

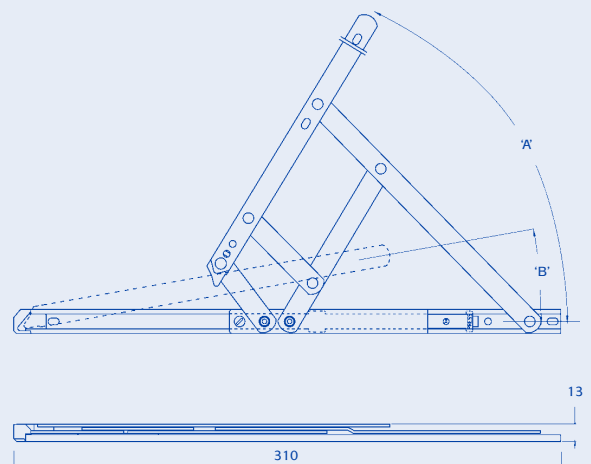
## Material specification

<b>Bars, Arms &amp; Rivets:</b>	Stainless Steel BS EN 10088-2:1995 Ferritic – 1.4016 (430 S17) Austenitic – 1.43.1 (304 S15)
<b>End Cap:</b>	Grey Nylon
<b>Mouldings:</b>	Grey Nylon
<b>Friction Screw:</b>	Brass

## Product options

Available in sizes 8", 10", 12", 16", 20" and 24".  
Top hung and side hung. 13mm, 16mm and 17mm stack height.  
See opposite for complete list of product codes.

Defender 12" Top Hung Restricted Hinge



## Sizes and capacities

Hinge Size (Top Hung) mm	Max Vent Weight kg	Max Vent Height mm	Min Vent Height mm	Opening Angle 'A'	Restricted Angle 'B'
310 (12")	20	550	350	65°	15°
412 (16")	21	750	500	60°	10°
513 (20")	24	1000	700	50°	8°
615 (24")	35	1200	850	37.5°	7°

Hinge Size (Side Hung) mm	Max Vent Weight kg	Max Vent Width mm	Min Vent Width mm	Opening Angle 'A'	Opening Angle 'B'
310 (12")	22	600	300	60°	13°
412 (16")	24	700	400	60°	12°



STACK



STACK



STACK



BS 8213



BS 6375



AUSTENITIC



FERRITIC



ASSESSMENT 1228



GUARANTEE

# SECURISTYLE DEFENDER RESTRICTOR

## Part numbers

Size	13mm		16mm		17mm		
<b>Top hung</b>							
12"	310mm	WFDRTL1260		WFDRTF1260		WFDRTH1260	
16"	412mm	WFDRTL1660		WFDRTF1660		WFDRTH1660	
20"	513mm	WFDRTL2050		WFDRTF2050		WFDRTH2050	
24"	615mm	WFDRTL2440		WFDRTF2440		WFDRTH2440	
<b>Side hung</b>							
		<b>LH</b>	<b>RH</b>	<b>LH</b>	<b>RH</b>	<b>LH</b>	<b>RH</b>
12"	310mm	WFDRSL1261	WFDRSL1262	WFDRSF1261	WFDRSF1262	WFDRSH1261	WFDRSH1262
16"	412mm	WFDRSL1661	WFDRSL1662	WFDRSF1661	WFDRSF1662	WFDRSH1661	WFDRSH1662

N.B. Austenitic available to special order

## Packing information

Size	No per pack		Weight
12"	310mm	25	11kg
16"	412mm	25	15kg
20"	513mm	25	18kg
24"	615mm	25	21kg