

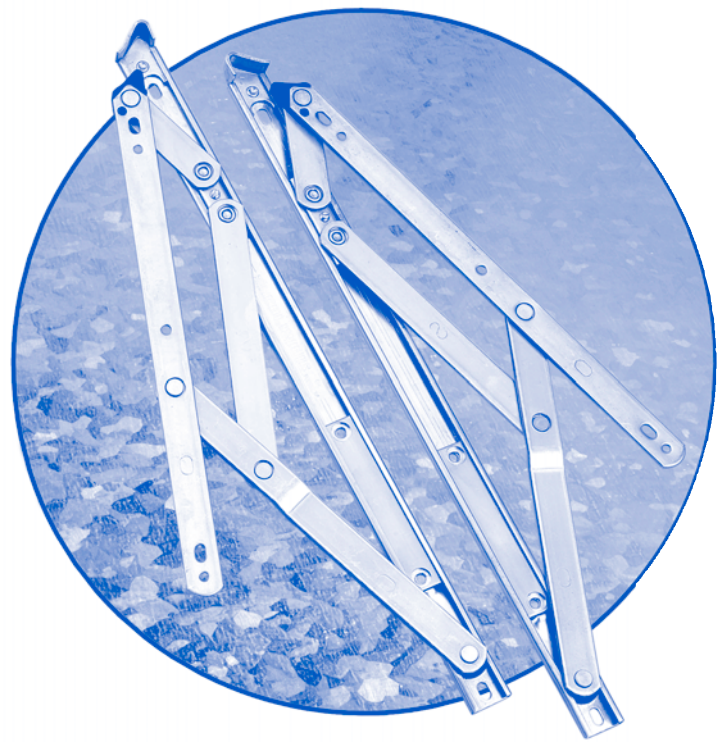
# SECURISTYLE STERLING

heavy duty friction hinges for  
commercial hinge applications

The Sterling is a high performance self-balancing friction hinge manufactured from austenitic stainless steel and designed for commercial applications in accordance with current standards.

Designed to accommodate commercial vents from 0.3m to 2m high and up to 100kg in weight, Sterling hinges are available from 10" to 26" top hung and 10" to 16" side hung.

Side hung designs allow opening to 90 degrees for easy cleaning of windows.



## Technical information

<b>Corrosion resistance:</b>	Meets the Requirements of BS EN 1670:2007
<b>Performance:</b>	Meets the requirements of BS6375-1:1989 Tested to 30,000 cycles of opening
<b>Operation:</b>	Meets the requirements of BS6375-2:1987

## Material specification

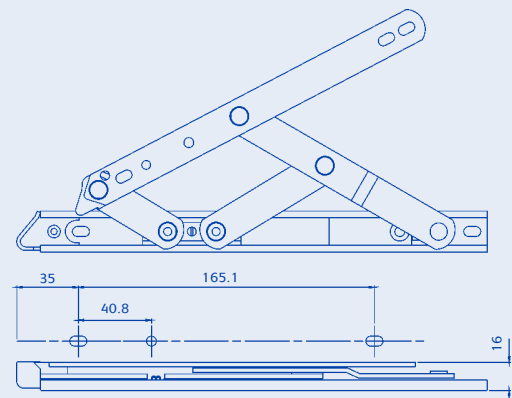
<b>Bars, Arms &amp; Rivets:</b>	Stainless Steel BS EN 10088-2:1995 Austenitic – 1.43.1 (304 S15)
<b>End Cap:</b>	Stainless steel
<b>Mouldings:</b>	Grey Nylon
<b>Friction Screw:</b>	Brass

## Product Options

Available in sizes 10", 12", 16", 22" and 26".

Top hung and side hung.

See opposite for complete list of product codes.



Vent sizes and weights

Top Hung	Size mm	Opening Angle degrees	Min Vent Height mm	Max Vent Height mm	Max Vent Weight kg
Sterling 10"	254	50	267	635	37
Sterling 12"	305	50	635	787	45
Sterling 16"	406	50	787	1090	55
Sterling 22"	559	45	1090	1500	75
Sterling 26"	660	20	1270	2000	100
Side Hung	Size mm	Opening Angle degrees	Min Vent Height mm	Max Vent Height mm	Max Vent Weight kg
Sterling 10"	254	85	300	660	38
Sterling 16"	406	90	450	838	47

securistyle



BS 7950



BS 8213



BS 6375



AUSTENITIC



FERRITIC



10 YEAR  
GUARANTEE

# SECURISTYLE STERLING

## Part numbers

	Size	Code
<b>Top Hung</b>		
Sterling 10"	254mm	WFSTTF1050
Sterling 12"	305mm	WFSTTF1250
Sterling 16"	406mm	WFSTTF1650
Sterling 22"	559mm	WFSTTF2200
Sterling 26"	660mm	WFSTTF2620
<b>Side hung</b>		
Sterling 10"	254mm	WFSTSF1000
Sterling 16"	406mm	WFSTSF1690

## Packing information

Size		No per pack		Weight
10"	TH	254mm	25 pairs	15.5kg
12"	TH	305mm	25 pairs	18.4kg
16"	TH	406mm	25 pairs	24.1kg
22"	TH	559mm	20 pairs	26.1kg
26"	TH	660mm	10 pairs	16.4kg
10"	SH	254mm	25 pairs	15.4kg
16"	SH	406mm	25 pairs	22.5kg