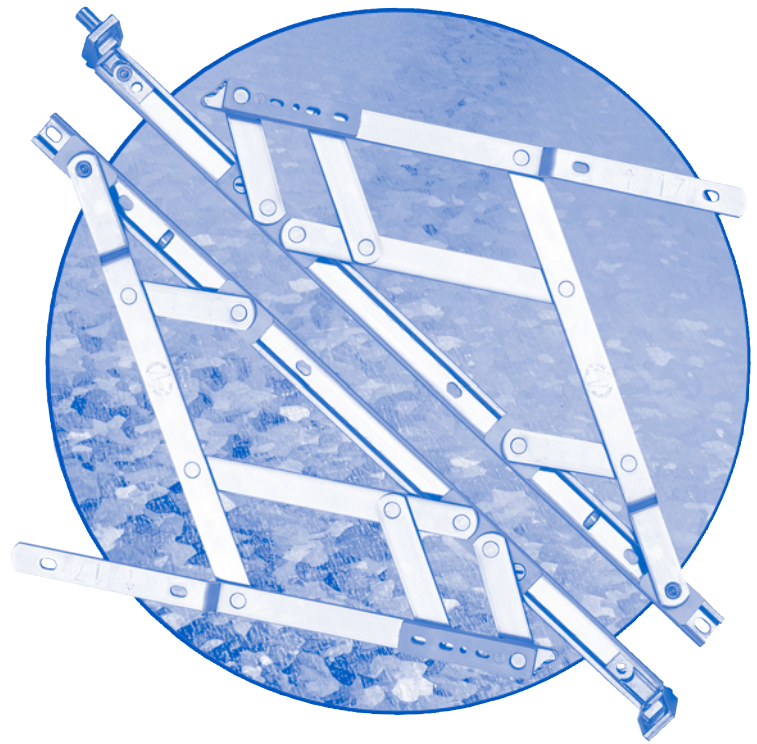


SECURISTYLE VECTOR & VECTOR PLUS

security friction hinges

When specified according to need, the Vector hinges satisfy an ever increasing demand for window security for personal safety, for easy exit in an emergency and for anti-corrosion durability.

Providing proven weather-sealing and security of closure, the family of easy-fit Securistyle hinges offer clear cut features and benefits. Vector and Vector Plus are designed to meet the requirements of BS7950.



Technical information

Corrosion resistance:	Meets the Requirements of BS EN 1670:2007
Performance:	Meets the requirements of BS6375-1:1989 Tested to 40,000 cycles of opening Meets the requirements of BS7950 depending upon window system and fitting
Operation:	Meets the requirements of BS6375-2:1987

Material specification

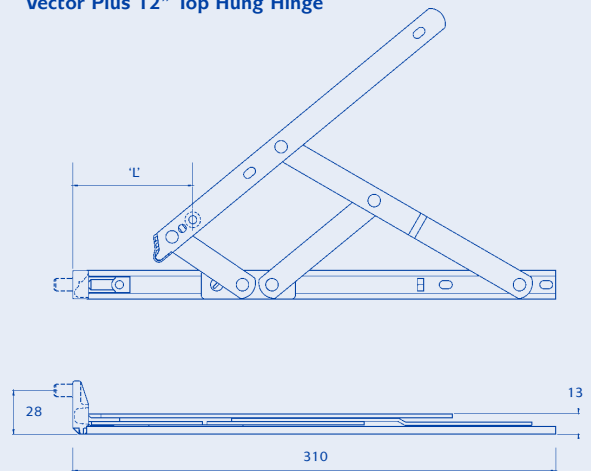
Bars, Arms & Rivets:	Stainless Steel BS EN 10088-2:1995 Ferritic – 1.4016 (430 S17) Austenitic – 1.43.1 (304 S15)
End Cap:	Zinc die cast passivated with optional spigot
Mouldings:	Grey Nylon
Friction Screw:	Brass

Product Options

Available in sizes 8", 10", 12", 16", 20" and 24".
Top hung and side hung, restricted. 13mm, 16mm and 17mm stack height.

See opposite for complete list of product codes.

Vector Plus 12" Top Hung Hinge



Sizes and capacities

Hinge Size (Top Hung) mm	Max Vent Weight kg	Max Vent Height mm	Min Vent Height mm	Opening Angle +/-2.5°	Dimension 'L' mm
209 (8")	12	350	200	50°	63
259 (10")	16	400	275	80°	131
310 (12")	20	550	350	80°	164
412 (16")	21	750	500	80°	239
513 (20")	24	1000	700	50°	215
615 (24")	35	1200	850	37.5°	156

Hinge Size (Side Hung) mm	Max Vent Weight kg	Max Vent Width mm	Min Vent Width mm	Opening Angle +/-2.5°	Dimension 'L' mm
310 (12")	22	600	300	60°	172
412 (16")	24	700	400	60°	170



STACK



STACK



STACK



BS 7950



BS 6375



AUSTENITIC



FERRITIC



GUARANTEE

SECURISTYLE VECTOR

Part numbers

Size	13mm		16mm		17mm	
Top Hung						
8"	209mm	WFVTTL0850		WFVTTF0850		WFVTTH0850
10"	259mm	WFVTTL1080		WFVTTF1080		WFVTTH1080
12"	310mm	WFVTTL1280		WFVTTF1280		WFVTTH1280
16"	412mm	WFVTTL1680		WFVTTF1680		WFVTTH1680
20"	513mm	WFVTTL2050		WFVTTF2050		WFVTTH2050
24"	615mm	WFVTTL2440		WFVTTF2440		WFVTTH2440
Side hung						
12"	310mm	WFVTSL1260		WFVTSF1260		WFVTSH1260
16"	412mm	WFVTSL1660		WFVTSF1660		WFVTSH1660

N.B. Austenitic available to special order

SECURISTYLE VECTOR PLUS

Size	13mm		16mm		17mm	
Top Hung						
8"	209mm	WFVPTL0850		WFVPTF0850		WFVPTH0850
10"	259mm	WFVPTL1080		WFVPTF1080		WFVPTH1080
12"	310mm	WFVPTL1280		WFVPTF1280		WFVPTH1280
16"	412mm	WFVPTL1680		WFVPTF1680		WFVPTH1680
20"	513mm	WFVPTL2050		WFVPTF2050		WFVPTH2050
24"	615mm	WFVPTL2440		WFVPTF2440		WFVPTH2440
Side hung						
12"	310mm	WFVPSL1260		WFVPSF1260		WFVPSH1260
16"	412mm	WFVPSL1660		WFVPSF1660		WFVPSH1660

N.B. Austenitic available to special order

Packing information

Size	No per pack		Weight	Size	No per pack		Weight
8"	209mm	25	8kg	16"	412mm	25	15kg
10"	259mm	25	9kg	20"	513mm	25	18kg
12"	310mm	25	11kg	24"	615mm	25	21kg