

HD VENT

through frame slotvent

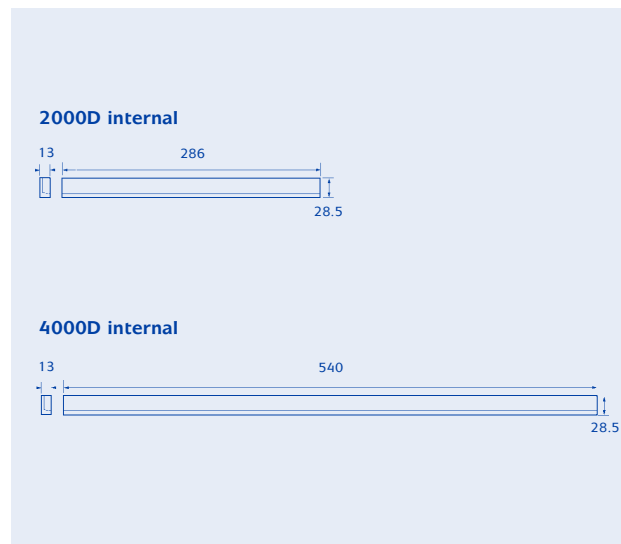
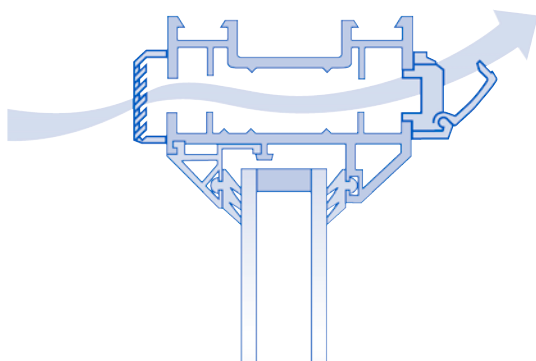
Greenwood's HD Vent is a stylish slimline ventilator designed for use as a through-frame slotvent or in conjunction with Greenwood's Permavent and Framevent systems.

Its design ensures controllable trickle ventilation in line with current Building Regulations.

Supplied as a complete unit, the vent comprises an internal vent, manufactured from rigid PVCu, with frame and shutter that is simply snap-locked into place. Operation ensures there are no protruding controls, preventing damage during transit once installed onto the window frame. Upward air deflection also ensures maximum comfort for the end user.

The external unit can be supplied as the HEG louvred grille which has been designed to offer excellent weather protection and is supplied with push fit end caps to conceal fixing points. Alternatively the AEF recessed flyscreen can be used, which has been designed to push fit into routed over-frame sections.

HD Vents can also be supplied with a pull cord control mechanism and are available, complete with rout and installation instructions, in white, brilliant white and brown.



Models and physical specification

Model	Configuration	Free Area (mm ²)	Overall Dimensions (mm)	Slot Sizes (mm)	Control	Colour
4000HD	HD Internal	4000	286 x 28.5 x 13		F, PC	W, BW, B
8000HD	HD Internal	8000	540 x 28.5 x 13		F, PC	W, BW, B
4000HDEG	HD Internal HEG Grille	4000	286 x 28.5 x 13		F, PC	W, BW, B
8000HDEG	HD Internal HEG Grille	8000	540 x 28.5 x 13		F, PC	W, BW, B
4000HDAEF	HD Internal AEF Flyscreen	4000	286 x 28.5 x 13		F, PC	W, BW, B
8000HDAEF	HD Internal AEF Flyscreen	8000	540 x 28.5 x 13		F, PC	W, BW, B
HDCW	PC Attachment				PC	W

Control: Front flap only (F), Pull-cord (PC). Colour: White (W), Brilliant White (BW), Brown (B).

Supplied in two parts.

HD VENT

Part numbers

Type	Colour	Operation	Code
4000HD	White	Front	WAVTWH0002
4000HD	Brown	Front	WAVTBN0013
8000HD	White	Front	WAVTWH0015

Packing information

Packs of 50