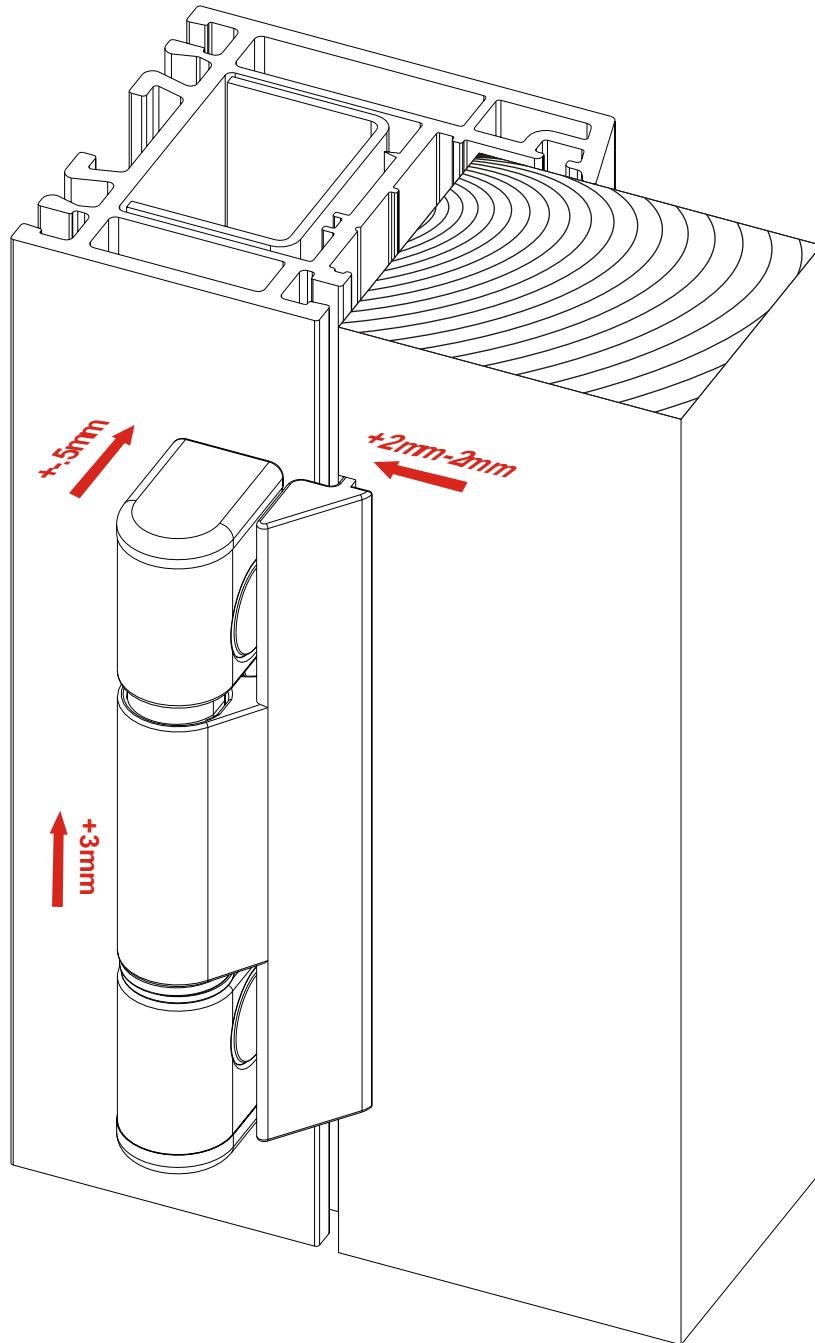




grouphomesafe▲

## CHALLENGER COMPOSITE DOOR BUTT HINGE TECHNICAL INFORMATION PACK

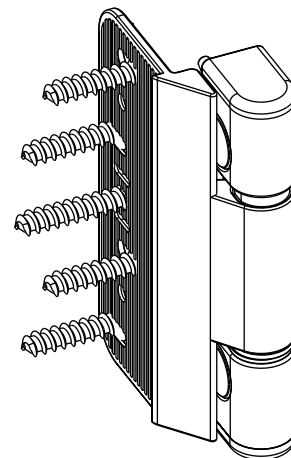
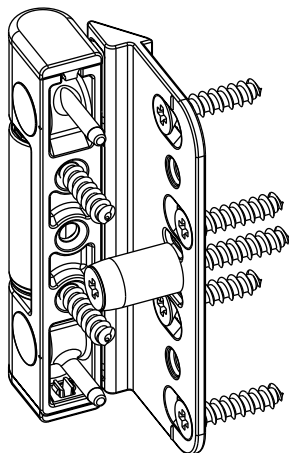
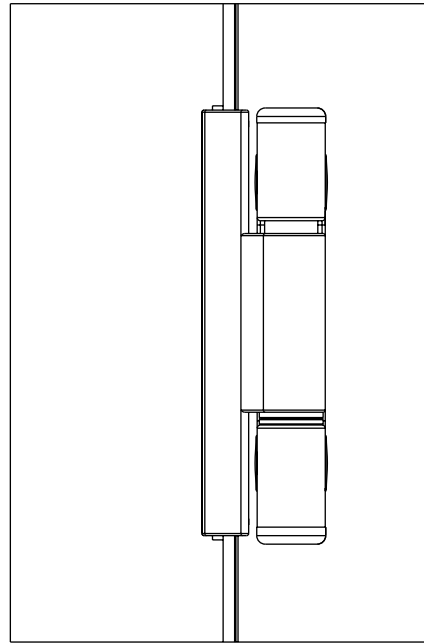
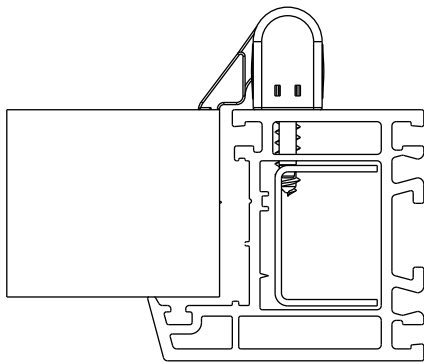
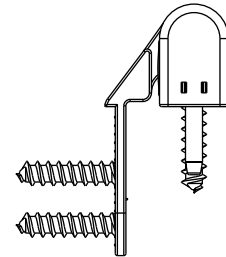
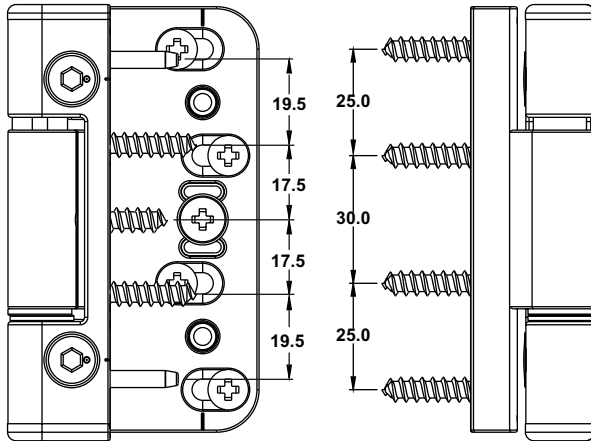


ERA  
Straight Road, Short Heath, Willenhall,  
West Midlands. WV12 5RA  
Tel: 01922 490060  
Fax: 01922 490044  
Email: [info@era-security.com](mailto:info@era-security.com)



grouphomesafe

# CHALLENGER COMPOSITE DOOR BUTT HINGE



\*Optional Integral Dog Bolt Shown