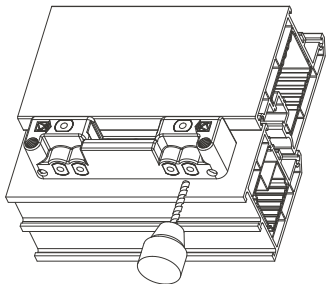




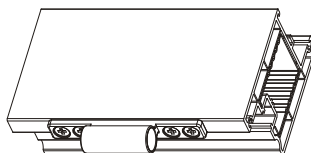
grouphomesafe<sup>▲</sup>

## CHALLENGER 3D BUTT HINGES FITTING INSTRUCTIONS (UPVC SIDE FIX)

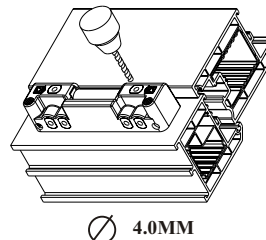
- 1** LOWER THE SASH INTO THE FRAME, ENSURE CORRECT PLACEMENT, CLAMP IF NECESSARY. PRE-DRILL HOLES.



- 2** LIFT SASH CLEAR AND FIT THE FLAG TO THE SASH.

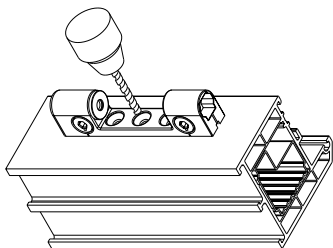


- 3** LOWER THE SASH INTO THE FRAME AND CLIP JIG UNDER FLAG BARREL. DRILL THE TWO HOLES FOR THE HINGE PINS

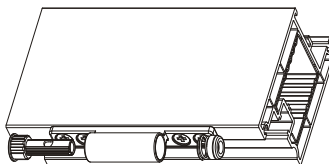


∅ 4.0MM

- 4** LIFT THE SASH CLEAR, FIT THE HINGE BODY AND EITHER PRE-DRILL OR FIX WITH SELF DRILLING SCREWS

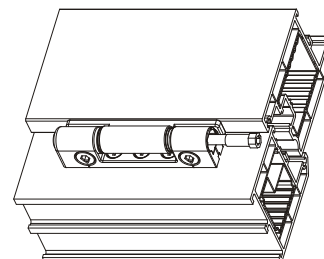


- 5** FIT THE TWO MAIN BUSHES INTO THE FLAG BARREL (SPRUNG BUSH TO THE TOP).



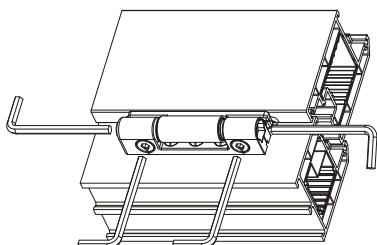
- 6** LOWER THE SASH INTO THE FRAME ALLOWING THE FLAG BARREL TO LOCATE INTO THE HINGE BODY.

FIT THE HINGE PIN UNTIL THE HEAD IS BELOW THE HEIGHT OF THE TOP OF THE HINGE BODY

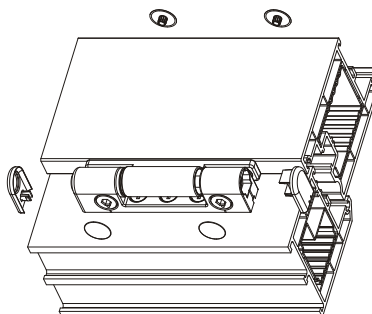


- 7** LATERAL AND VERTICAL ADJUSTMENT ARE PRE-SET. THE HINGE PIN SHOULD BE SET SO THAT THE ALIGNMENT MARK POINTS TOWARDS THE SASH.

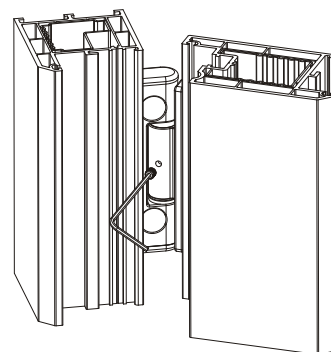
OTHER ADJUSTMENTS CAN BE MADE AS NECESSARY.



- 8** FIT COVER CAPS IF REQUIRED. THE TOP CAP MUST BE FITTED AS IT LOCKS THE HINGE PIN IN PLACE.



- 9** IF REQUIRED FIT THE SECURITY SCREW. DO NOT OVER-TIGHTEN.



ERA  
Straight Road, Short Heath, Willenhall,  
West Midlands. WV12 5RA  
Tel: 01922 490060  
Fax: 01922 490044  
Email: [info@era-security.com](mailto:info@era-security.com)