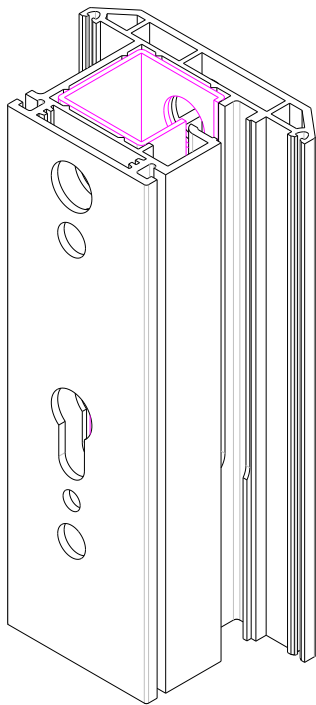


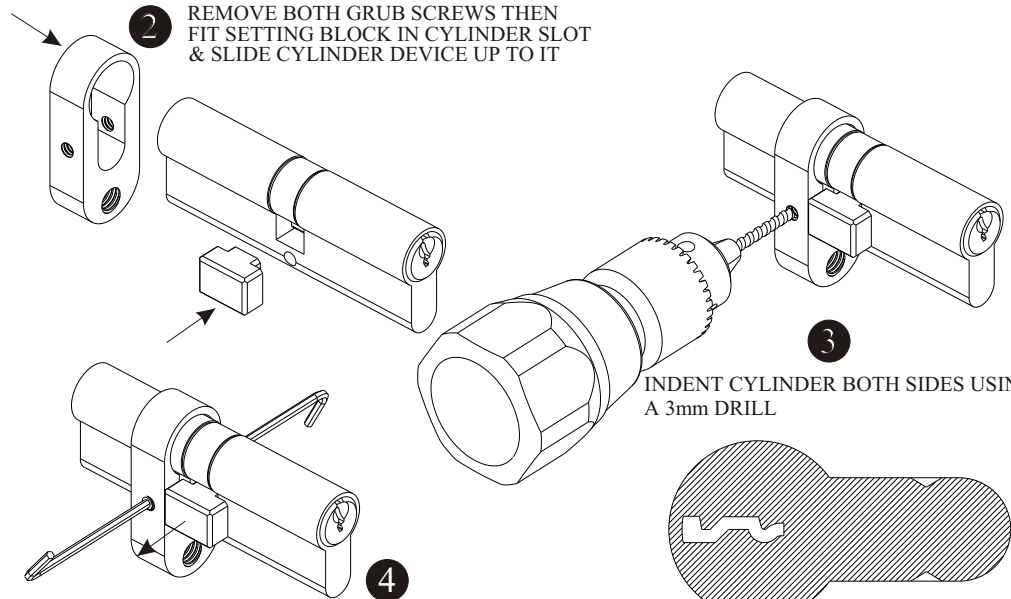
CYLINDER SECURITY DEVICE UPVC DOOR FITTING INSTRUCTIONS



1

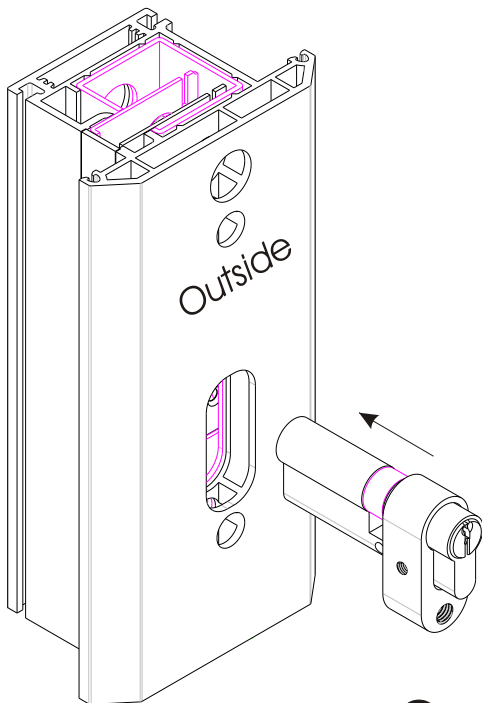
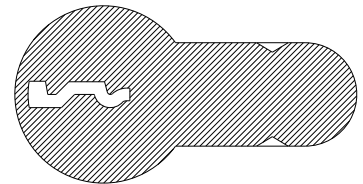
PREP SASH

2 REMOVE BOTH GRUB SCREWS THEN
FIT SETTING BLOCK IN CYLINDER SLOT
& SLIDE CYLINDER DEVICE UP TO IT



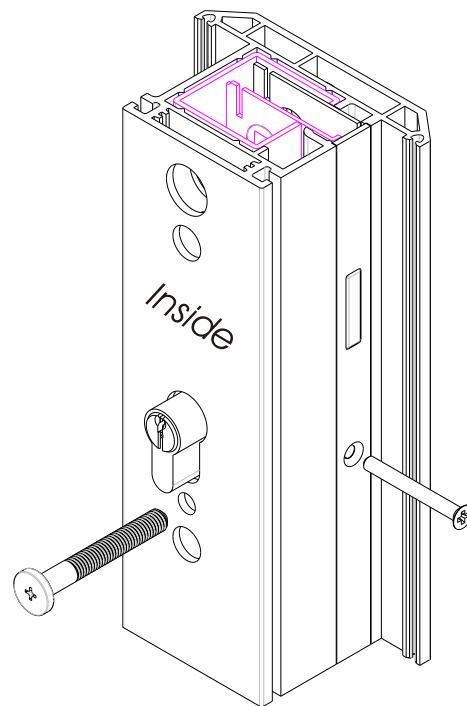
4 TIGHTEN GRUB SCREW WITH 2mm
ALLEN KEY THEN REMOVE SETTING BLOCK

3 INDENT CYLINDER BOTH SIDES USING
A 3mm DRILL



5

FIT CYLINDER



6

TIGHTEN CYLINDER SCREW AND
CYLINDER DEVICE SCREW