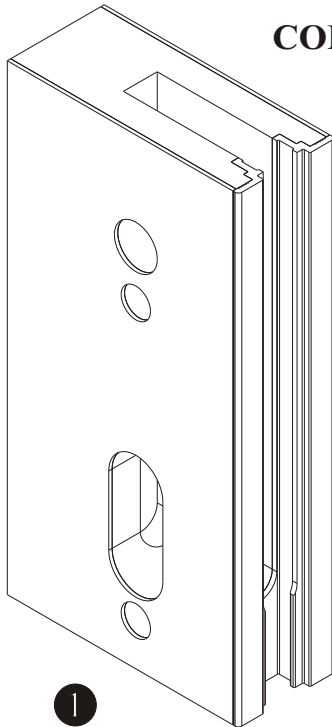
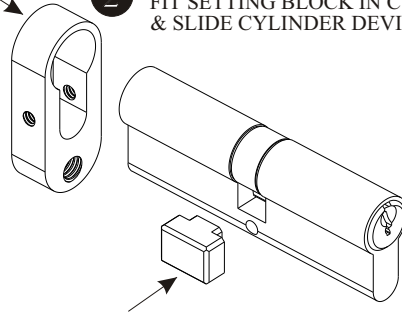


CYLINDER SECURITY DEVICE COMPOSITE DOOR FITTING INSTRUCTIONS

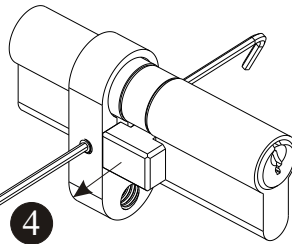


1
PREP DOOR SLAB

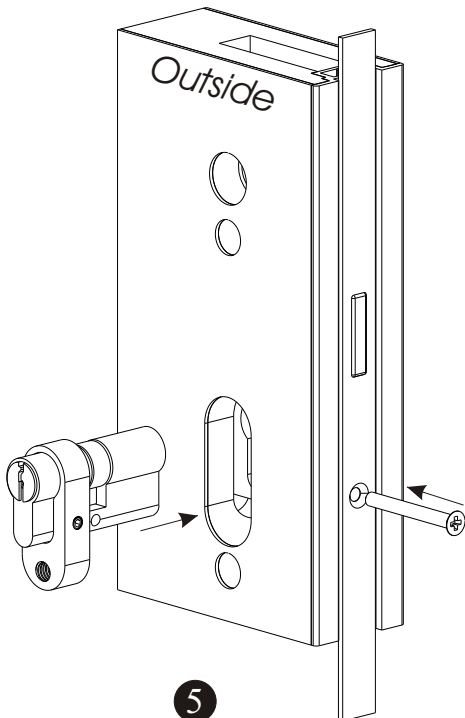
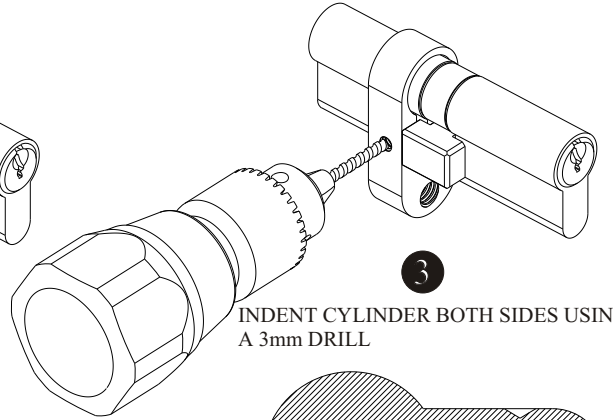
2 REMOVE BOTH GRUB SCREWS THEN
FIT SETTING BLOCK IN CYLINDER SLOT
& SLIDE CYLINDER DEVICE UP TO IT



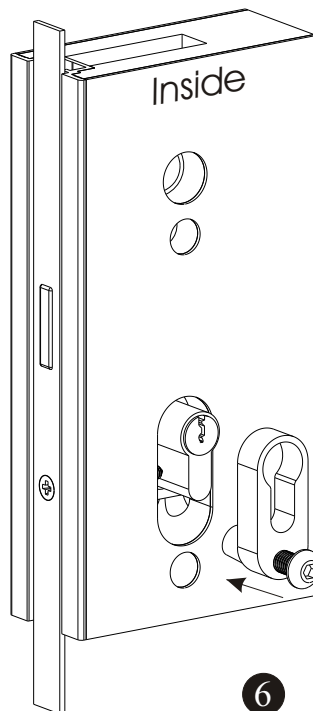
4
TIGHTEN GRUB SCREW WITH 2mm
ALLEN KEY THEN REMOVE SETTING BLOCK



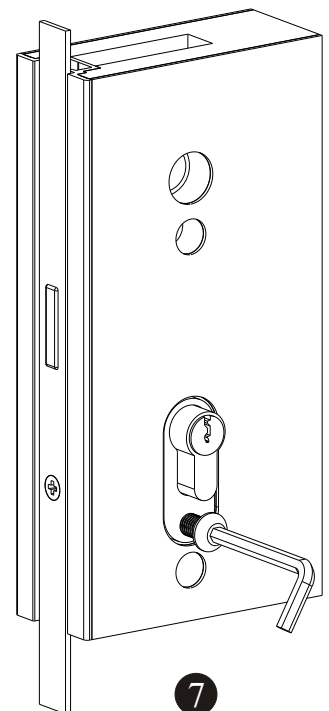
3
INDENT CYLINDER BOTH SIDES USING
A 3mm DRILL



5
FIT CYLINDER & TIGHTEN
CYLINDER SCREW



6
SLIDE SPACER OVER SCREW &
SLIDE CLAMP OVER CYLINDER



7
TIGHTEN SCREW WITH
5mm ALLEN KEY