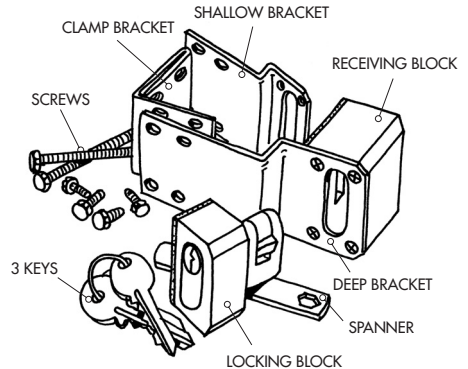


The Door Lock People

Block Lock fitting instructions

Pack Contents:

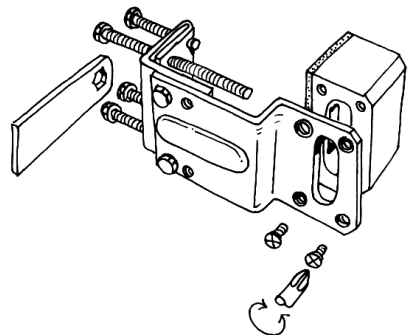
- Longer depth bracket fitted to receiving block
- Shorter depth bracket to be fitted to receiving block if required
- Common clamp bracket to be used with either longer or shorter depth bracket
- Locking block including oval cylinder
- 3 keys
- 2 x M5 x 90mm long screws
- 2 x M5 x 30mm long screws
- 2 x M5 x 8mm long screws
- Spanner



No tools are required to fit the Block Lock unless the bracket on the receiving block needs to be changed, in which case a cross-headed screw driver is needed.

PLEASE NOTE: You will need to assemble some of the provided parts to fit around the edge section of the door to be secured. The shapes of the edges vary from manufacturer to manufacturer, so some experimentation will be needed to select the right parts to use.

The Block Lock is factory fitted with the longer depth bracket. The shorter depth bracket supplied can be used if the particular installation requires. To fit the shorter depth bracket, simply remove the 4 cross-headed screws from the receiving block and replace the bracket using the same screws.



To install the Block Lock

Choose the location of the Block Lock on the doors of the vehicle. See diagram **A**

Refer to diagram **B** Note that there are 2 brackets included in the kit. The one to select is the one that fits very tightly to the form of the door edge. Generally, the larger of the 2 brackets fit Ford/Vauxhall/Mercedes Benz vehicles and the smaller one the French/Italian vehicles.

If the bracket you have selected does not have the receiver block on it you will need to remove it from the other bracket (4 small screws) and transfer it to the other bracket. Ensure screws are tight.

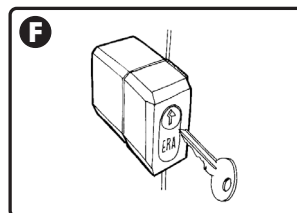
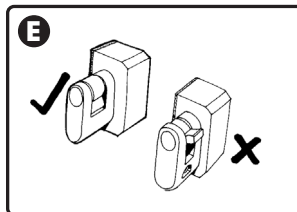
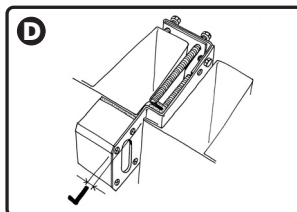
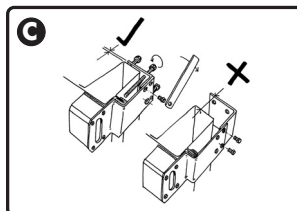
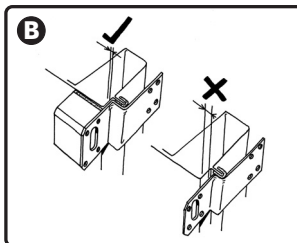
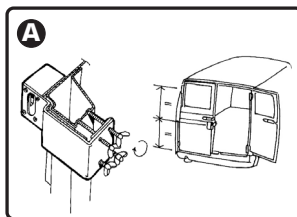
Refer to diagram **C** The clamp bracket needs to be screwed to the block receiver bracket in the correct place. Follow the diagram, and ensure that the position chosen keeps the bracket as close to the shape of the door edge as possible. This will minimise the distortion of the whole bracket when tightened. Tighten the bolts well with the spanner provided.

Thread into place the 2 long and 2 short bolts as shown in the diagram, and offer up the whole assembly to the door edge.

Refer to diagram **D** Holding the assembly hard up against the door edge with one hand finger tighten the 4 clamp bolts to the door faces. Close the door into place and very carefully close the open door (assuming 2 doors on the vehicle) making sure the door does not foul the Block Lock. Open the door and tighten the bolts carefully and evenly. When reasonably tight check that the door closes without fouling. Re-adjust the bracket/bolts to achieve a good fit.

Take the locking block with the key cylinder fitted and turn the key until the cam is within the cylinder. Slide the locking block into the receiving block on the bracket until fully inserted. Turn the key to engage the cylinder cam to lock the Block Lock into place. With the doors fully latched closed, insert the locking block and turn the key to lock into place. See diagram **E**

Remove the key and check it is secure. Remove the Locking Block using the inserted key and turning it to release. See diagram **F**



TECHNICAL HELPLINE
01922 490 050

ERA Products Limited, Straight Road,
Short Heath, Willenhall, West Midlands WV12 5RA
email: info@era-security.com www.era-security.com